



TM

SITE DRAINER

The Non Clogging Solution

Site Drainer™ SD 300 Light Drainage Pump



Installation and Operating Instructions

Save these instructions.
Read all instructions before using this product.

Site Drainer™ SD 300 light drainage pump

Application

The submersible wastewater pumps of the SD series are reliable, quality products designed for the following applications:

- ▶ Pumping of residential water.
- ▶ Pumping of commercial water.
- ▶ Pumping of waste water

Warranty Limitations

Site Drainer™ will not assume any liability or accept a warranty claim under the following situations.

1. Temperature Limitation

This pump is only suitable for removing clear and dirty water up to a maximum water temperature of 104°F (40°C) in continuous operation or up to a maximum of 140° F (60°C) for a short-term operation that does not to exceed 15 minutes. Excessive hot water may cause damage to the pump or the pumping system.

2. Matter and Liquid Limitation

This pump should not be used to pump the following:

- ▶ Fecal matter
- ▶ Aggressive fluids such as acids, lye (caustic soda) or salts
- ▶ Flammable liquids such as petrol, oil or phenols
- ▶ Commercial and agricultural waste
- ▶ Solid substances such as ash, rubbish, glass, sand, fibrous material, cardboard, paper towels, textiles, diapers, kitchen waste, coffee grounds, shredder waste
- ▶ Liquid substances that can harden, such as bitumen, cement, lime, lime milk (whitewash), mortar, potato starch, grease (edible oils and fats), synthetic resin, synthetic resin emulsion, tar, paint residues
- ▶ Cleaning agents, disinfectants
- ▶ Abrasive material

Proper Handling

- ▶ The unit should never be lifted, raised or lowered by the power cable.
- ▶ Use the handle to support the pump during placement.
- ▶ A handle is provided for transport. If necessary, it is possible to suspend the pump by attaching a rope or chain to the handle.
- ▶ Secure the pump in an upright position during transport.
- ▶ Avoid bumping or dropping.

Installation and Operation

The following operating instructions contain information on installation, operation and maintenance, and should be followed carefully. It is essential that these instructions are carefully read before use. Keep these instructions readily available and with the unit.

1. Electrical Code Warning

Pumps must be installed in accordance with governing national and local electrical codes.

2. Safety Procedures

Before commencing operations, the pump or pump station should be examined for damage or wear and a functional check carried out. Particular attention should be paid to the following:

- ▶ Check that the power cable and plug are undamaged.
- ▶ Does the electrical connection comply with regulations?
- ▶ Check system off when in auto mode without water
- ▶ System override in manual mode

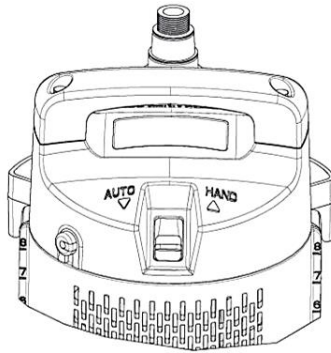
3. Power Connection

Special Note- Using a 3-Prong, properly grounded outlet is essential to the safety of this product.

Proper Operation for Water Depth

For water **deeper than 2”**

1. Turn switch to “AUTO”
2. Lower pump into the water
3. Plug in pump to recommended outlet
4. Pumping begins and stops automatically



For water **less than 2” deep**

1. Lower pump into the water
2. Turn switch to “HAND” to Start Pumping
3. Plug in pump to recommended outlet
4. Turn switch to “AUTO” to Stop Pumping
5. Unplug and Remove Pump

WARNING – When using the HAND setting, stay with the pump and do not let the pump run dry.

Maintenance

1. Toxic Fluids

Pumps used for the pumping of fluids which could be foul, toxic, or otherwise hazardous to one's health must

be properly cleaned with disinfectant or otherwise decontaminated.

2. Regular Inspection

After completion of any work, all safety and protective devices must be refitted and a check should be made that they are fully functional.

3. Performance:

If the unwanted pump water is mixed with clay, silt or mud, clean pump by running clear water through the apertures with or without the pump running. It is critical to clean the pump before such matter is allowed to dry.

Record Nameplate Information

We recommend that you record the information from the standard nameplate on the pump in the corresponding form the follows. Use it as a source of reference for the ordering of spare parts, repeat orders and general inquiries. When corresponding with Site Drainer™, state the Pump Type, Item No. and Serial No. so that we can better help you.

Legend (fill-in area)

Item number: _____

Serial number: _____

Production date (Month/Year) _ _ _ _ _ _

Nomenclature on the unit itself, e.g. Nameplate, must be maintained in a legible condition. End of life units can be returned to Site Drainer™ or recycled in accordance with local regulations.




Safety Instructions for the Owner/Operator

To reduce the risk of **electrical shock or injury** while operating or servicing the Site Drainer™ pump, observe the following safety rules:

- ▶ Operate Site Drainer™ pump only as described in this manual.
- ▶ Use only 3-pronged grounded plug and properly grounded outlet. Failure to use properly grounded plug and outlet **may cause electrical shock**. If you are not sure of proper connections, get help from a qualified electrician or service person.
- ▶ Do not unplug the Site Drainer™ pump by pulling on the cord. Grasp the plug, not the cord, to unplug.
- ▶ Do not handle the plug with wet hands.
- ▶ Do not use the Site Drainer™ pump with a damaged cord or plug.
- ▶ Do not use the Site Drainer™ pump if it is not working properly or has been dropped or damaged.
- ▶ Do not use an unapproved extension cord with the Site Drainer™ pump. Use of an unapproved extension cord **may cause electrical shock**. Use an extension cord that complies with NEC requirements and state and local codes and other requirements.
- ▶ Do not attempt to service this Site Drainer™ pump. It is not designed for servicing and attempting to do so may cause electrical shock.

Unproven Usage

The operating safety of the unit is only guaranteed provided that the unit is used in accordance with the operating and safety instructions. The limiting values given in this document not be exceed under any circumstances.

PERFORMANCE -RENDIMIENTO				
MODEL HORSE POWER	FEET PIES PIEDS	METERS METROS METRES	GALLONS M/H GALONES GALLONS	LITERS M/H LITROS LITRES
SD 100 1/4 HP  Shut Off	5'	1.5	38/2280	144/8640
	10'	3.0	27/1620	102/6120
	15'	4.6	16/960	61/3660
	20'	6.1	0	0
	20'	6.1	0	0
SD 200 1/3 HP  Shut Off	5'	1.5	44/2640	167/10020
	10'	3.0	37/2220	140/8400
	15'	4.6	27/1620	102/6120
	20'	6.1	18/1080	68.1/4080
	25'	7.6	5/300	18.9/1140
	27'	8.2	0	0
SD 300 1/2 HP  Shut Off	5'	1.5	65/3900	246/14760
	10'	3.0	57/3420	216/12960
	15'	4.6	47/2820	178/10680
	20'	6.1	35/2100	132.5/7950
	25'	7.6	20/1200	75.7/4560
	30'	9.1	5/300	19/1140
	32'	9.7	0	0

These installation and operating instructions do not supersede or exclude the following generally valid regulation and standards.

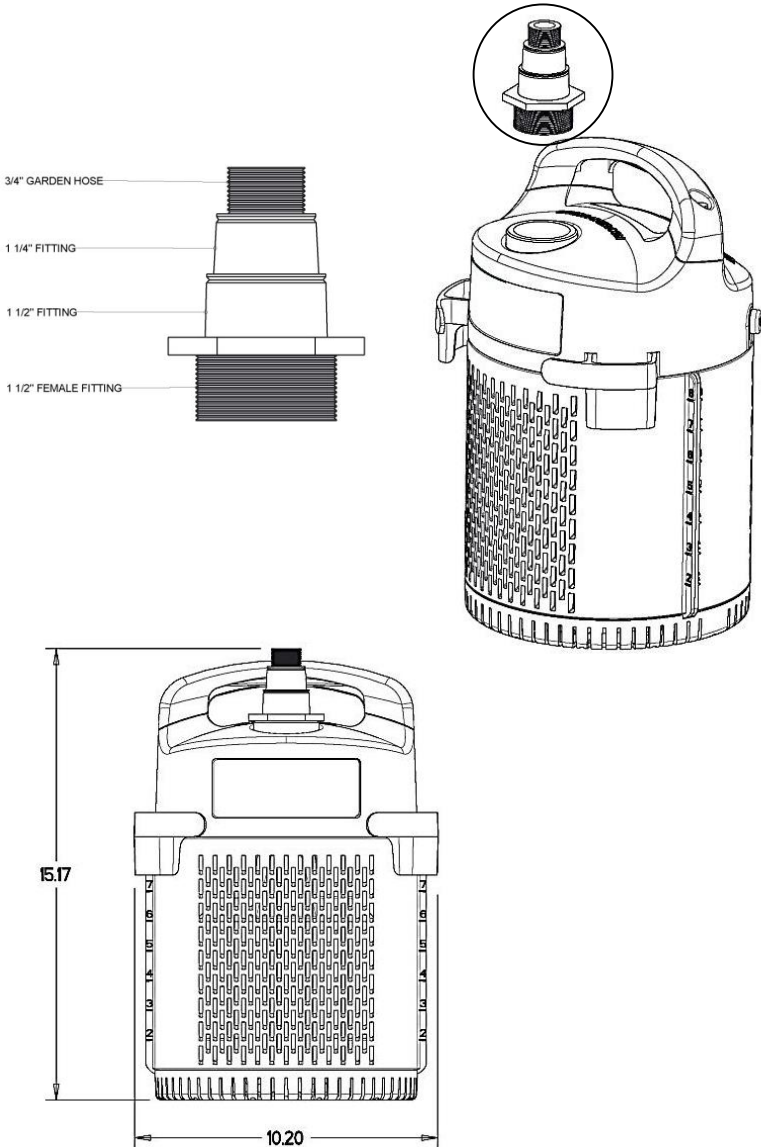
Warranty

Site Drainer™ pumps are warranted for one year from date of purchase with proper handling.

Manufacturing

Modifications or changes to the unit/installation should only be carried out after consultations with the manufacturer. Original spare parts and accessories authorized by the manufacturer are essential for compliance with safety requirements. The use of other parts can invalidate any claims for warranty or compensation.

The manufacturer guarantees that a new pump will not emit airborne noise in excess of 70 dB (A) during normal operation, when either fully or partially submerged.



For the usage of pumps to Protection Type 1 IEC 335-2-41:1984 Mod.1 1990 applies. Pumps of Protection Type 1 for use in swimming pools or garden ponds must be fitted with an earth leakage circuit breaker (30mA) in the incoming power line. The pump must never be used if people are in the pool or tank.

Pumps for use in swimming pools where people are present must only use pumps to Protection Type III with a voltage not greater than 12V.

NOTE: Suitable earth leakage protection devices are available from electrical suppliers. Please consult with your electrician.

For additional hose options, contact your local Site Drainer™ Dealer

Proudly Designed and Assembled in U.S.A.



Site Drainer, LLC.
Clifton, NJ 07013

Phone: 800-726-2080 | Fax: 862-225-9941

www.SiteDrainer.com | info@sitedrainer.com

Site Drainer™ reserves the right to alter specification due to technical developments.

US Patent No. 8,636,898. Others US and foreign patents pending.

Copyright 2014 Site Drainer™ Co. All rights reserved.

Date of Publishing September, 2014