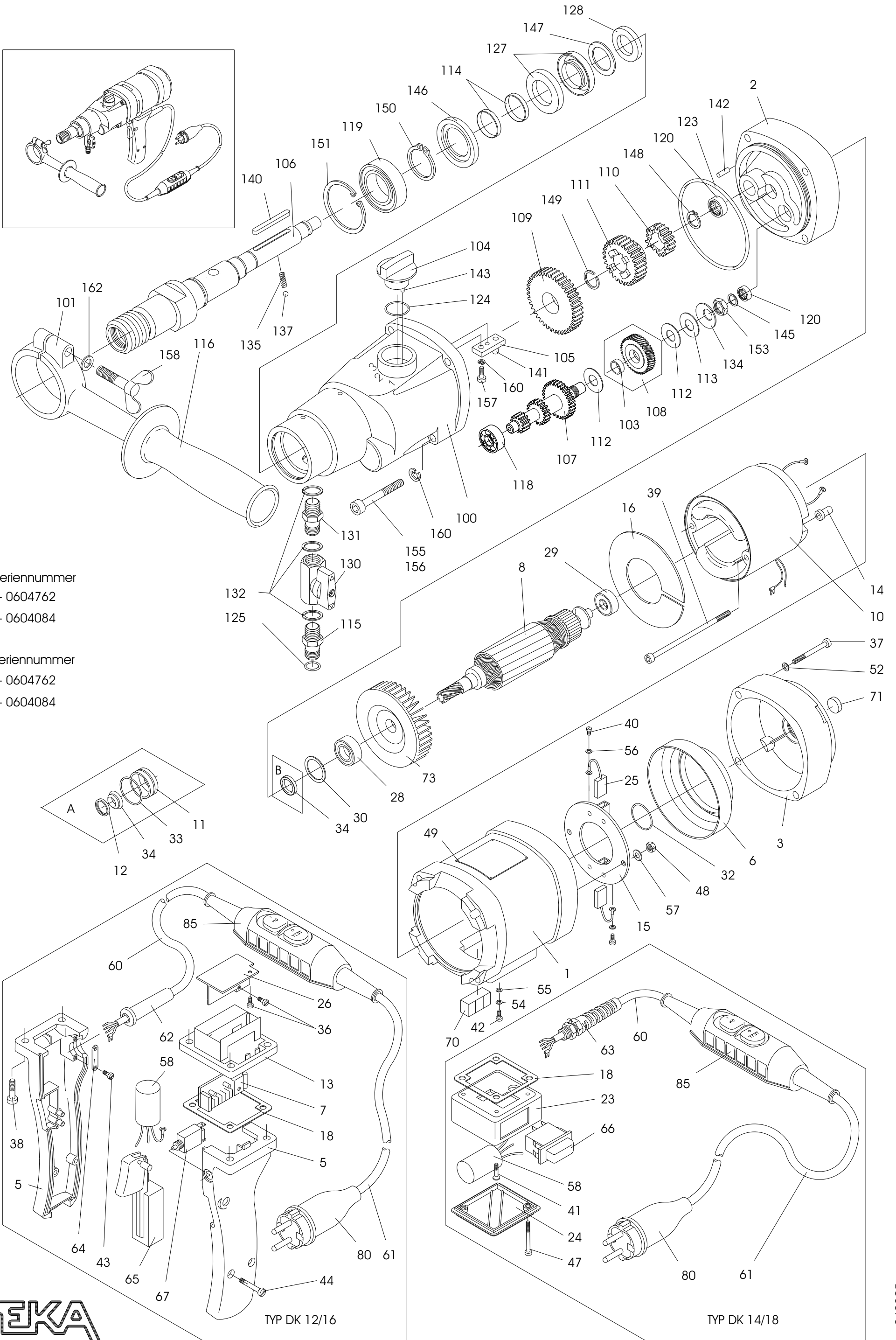


# DIAMANT-KERNBOHRMASCHINE TYP DK 12/14/16/18



A: < Seriennummer  
DK12 - 0604762  
DK14 - 0604084

B: > Seriennummer  
DK12 - 0604762  
DK14 - 0604084



TYP DK 12/16

TYP DK 14/18



# Retrofit parts list

Revised Aug 3, 2004

9/1/2005

Fig	Req.	Description	Weka Part	DP Part	Fig	Req.	Description	Weka Part	DP Part
1	1	Motorcase	DK10101	2700650	100	1	Gear Box	DK10201	2700936
2a	1	Intermediate Flange <i>old type used for v-seal system fig#11,12,33,34a</i>	DK10102	2700651	101	1	Clamp Ring	DK12202	2700693
2b	1	<b>Intermediate Flange "New"</b> <i>New type used w/fig#34b only</i>	DK10102-1	2703238	104	1	Gear Change Grip	DK10203	2700694
3	1	Motor Top Hood	DK10103	2700652	105	1	Gear Change Lever	DK20205	2700695
n/a	1	Protection Cover(For Top Level)	DK10104	2700653	106	1	Drill Spindle cpl. w. Pos 114,135,137		
5a	1	Switch Handle/used w/fig 7 (230V or 110V)	DK12105	2701453			Tool Thread G 1/2"	DK10206	2700696
5b	1	Switch Handle/used w/fig 67 (110V only)	DK12105.11	2701452			Tool Thread 1-1/4 + G 1/2"	DK10206.3	2701395
6	1	Insulating Ring	DK10106	2701197	107	1	Pinion Shaft	DK10208	2700697
7	1	Electronic Module 230V	DK10510	2701383	108	1	Clutch Wheel	DK12209	2700698
	1	Electronic Module 110V	DK10511	2701427	103	1	Bearing Socket(for clutch wheel)	DK10221	2700699
8a	1	Armature w/Fan & Bearings 230V <i>old type for v-seal system</i>	DK10108	2701334	109	1	Gear Wheel 1	DK10212	2700700
8b	1	Armature w/Fan & Bearings 110V <i>old type for v-seal system</i>	DK10108.11	2700655	110	1	Gear Wheel 3	DK10213	2700701
8c	1	<b>Armature w/Fan &amp; Bearings 230V</b> <i>New type for use w/improved seal fig34b</i>	DK10108-1	2703239	111	1	Slide Gear Wheel	DK10214	2700702
8d	1	<b>Armature w/Fan &amp; Bearings 110V</b> <i>New type for use w/improved seal fig34b</i>	DK10108/11-1	2703240	112	2	Brake Disk	DK10218	2700703
10	1	Field compl. 230V	DK10109	2701335	113	1	Pressure Disk	DK10219	2700704
	1	Field compl. 110V	DK10109.11	2700656	114	2	Protective Sleeve	DK10220	2700643
11	1	Seal Bush	DK10113	2700657	115	1	Quick Connect Nipple	DK20225	2700706
12	1	Fixing Ring	DK10114	2700658	116	1	Handle	DK12	8900014
13	1	Electronic Case 110V & 230V	DK10135	2701354	118	1	Ball Bearing	629	6062900
14	2	Fieldscrew Insulating Sleeve	DK10116	2700659	119	1	Ball Bearing	6005 2RS	6060052
15	1	Brush Holder Disc	DK10117	2700660	120	2	Needle Bush	HK1010	6310100
16	1	Air Conducting Disk	DK10118	2700662	123	1	O-Ring	RDR78x2	5578002
17	1	Mounting Plate 110V	DK10119	2700661	124	1	O-Ring	RDR20x3	5520003
	1	Mounting Plate 230V	DK12120	2701384	125	1	O-Ring	RDR11x2.5	5511025
18	1	Terminal Case Packing	DK10122	2701567	127	2	Rotary Shaft Seal	AD24x40x7	5024407
25	2	Carbon Brush 230V	DK10125	2701336	128	1	Rotary Shaft Seal	AD22x35x7	5022357
	2	Carbon Brush 110V	DK10125.11	2700663	130	1	Ball Valve with Grip	G1/4"1/1	7014001
26	1	Cooling Profile 110V & 230V	DK10140	2701385			Grip	7014005	2700925
28	1	Ball Bearing	6060011	2700664	131	1	Double Nipple	G1/4"a	7014002
29	1	Ball Bearing	6060002	2700665	132	3	Sealing Ring	G1/4"	7014003
30	1	Compensation Washer	2628171	2700666	134	1	Disk Spring	4028142	2700718
32	1	O-Ring RDR26x2.5	4526025	2700667	135	1	Pressure Spring	0.5x3.2x16	4305016
33	1	O-Ring RDR24x1.5	4524015	2700668	137	1	Ball	RB-4	2204000
34a	1	V-Seal	5112000	2700669	140	1	Parallel Key	A5x5x40	3005040
34b		<b>Rotary Shaft Seal "New"</b> <i>used only w/8c,8d,2b</i>	5012247	2703241	141	1	Parallel Pin	5m6x16	2505016
34c		<b>Modified Sealing Bushing</b> <i>retrofit when using w/fig 2a,8c,8d,34b</i>	DK10113-1	2703242	142	1	Parallel Pin	4m6x10	2504010
36	1	Thread Roll.Head Screw M4X6	0504006	2701386	143	1	Parallel Pin	3m6x16	2503016
37	4	Hex. Soc. Head Screw M5x35	0105035	2700670	145	1	Shim Ring	PS10x16x1	1910161
38a	*4	Raised Head Screw M5x25 DK12	0205025	2701203	146	1	Supporting Ring	DK10204	2700992
38b	*4	Raised Head Screw M5x20 DK12	0205020	2700671	147	1	Shim Ring	PS25x40x0.3	1925403
39	2	Fill. Head Screw M4x100	0204100	2700672	148	1	Retaining Ring	AV14	3514001
40	2	Fill. Head Screw M3x5	0203005	2700673	149	1	Retaining Ring	SW18	3618000
42	2	Sl. Pan Head Screw M4x6	0304006	2700674	150	1	Retaining Ring	25x1.2	3525012
43	2	Pan Head Tapping Screw DK12	0539095	2700675	151	1	Retaining Ring	47x1.75	2547175
44	2	Pan Head Tapping Screw DK12	0539019	2700676	153	1	Hexagon Nut	BM12x1.5	1012015
48	2	Hexagon Nut M4	1004000	2700677	155	1	Hex. Soc. Head Screw	M5x80	0105080
49	4	Round Head Grooved Pin 2.3x4	2223004	2700678	156	3	Hex. Soc. Head Screw	M5x50	0105050
52	4	Locking Washer SM5	1805000	2700735	157	1	Hex. Soc. Head Screw	M5x16	0105016
54	3	Curved Spring Washer A4	1804137	2700680	158	1	Wing Screw	M6x40 DK12	0506040
55	1	Medium Washer 4.3	1804433	2700681	160	5	Locking Washer	SM5	1805000
56	2	Medium Washer 3.2	1803433	2700682	162	1	Medium Washer	A 6 DK12	1806125
58	1	Int. Suppr. Capacitor	DK10130	2700683			Pointing Sticker	DK20620	2700737
61	1	Cord 110V/230V AWG 14	8738151	2700684	1	1	Gear Oil 80W-90	4 oz	9012001
62	1	Cord Sleeve DK12	8701000	2700685	1	1	Ball Valve Assembly(water shut-off)	7014000	2700806
64	1	Cord Clamping Piece DK12	8800010	2700686					
65	1	Motor Switch 110V/230V DK12	8015212	2701454					
67	1	Motor Protective Switch 110V	8010615	2700688					
68	1	Knurled Nut DK12	8001001	2700689					
70	1	Tube Water-Level	7510029	2700690					
71	1	Tin Water-Level	7500015	2700691					
73	1	Fan	DK20105	2700692					

**NOTES:** \*Fig. 38a. Used on all 110V & 230V drills with electronic overload module.

\*Fig. 38b. Used on all 110V drills with thermal motor protective switch.

\*\*Slip torque of clutch(pinion shaft out of drill mounted in bench vise ) 12-14NM(8.8-10.3 ft-lbs)

\*\*Overall drill length w/drill spindle G 1/2"(old style DK10206) w/5/8"-11 adapt. = 16.750"

w/1-1/4"-7 adapt. = 16.750"

\*\*Overall drill length w/drill spindle 1-1/4" + G 1/2"(new style DK10206.3) = 16.000"

w/ 5/8"-11 adapt. = 18.000"