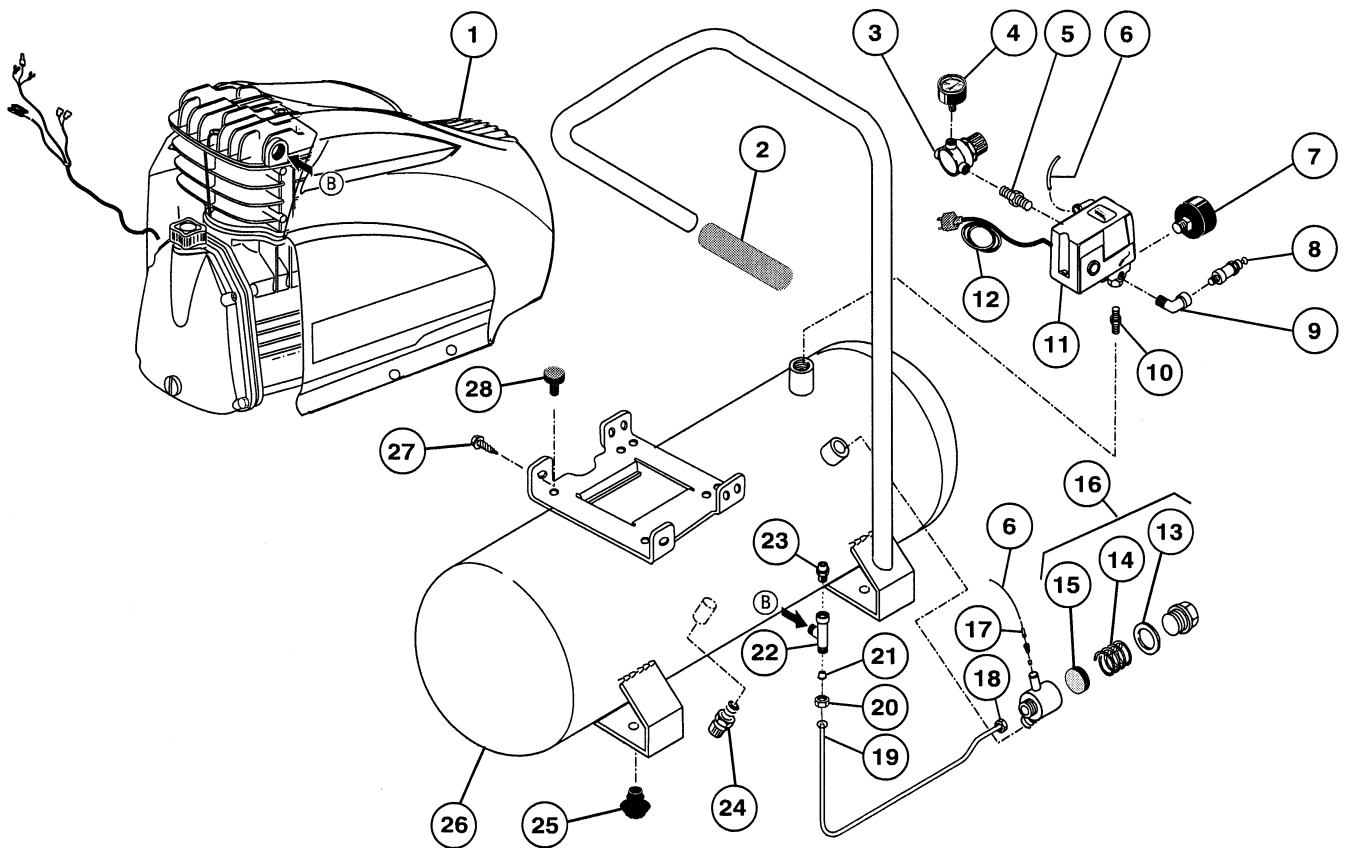
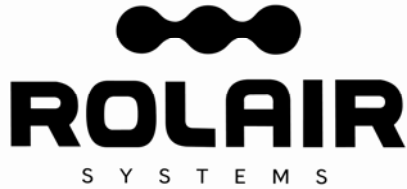


**ROLAIR**  
SCHEMATIC FOR MODEL  
FC1500HS3






**ROLAIR SYSTEMS**

606 S. Lake Street, P.O. Box 346  
 Hustisford Wisconsin 53034-0346  
 Phone: 920-349-3281  
 Sales Fax: 920.349.3691  
 Service Fax: 920.349.8861  
[www.rolair.com](http://www.rolair.com)

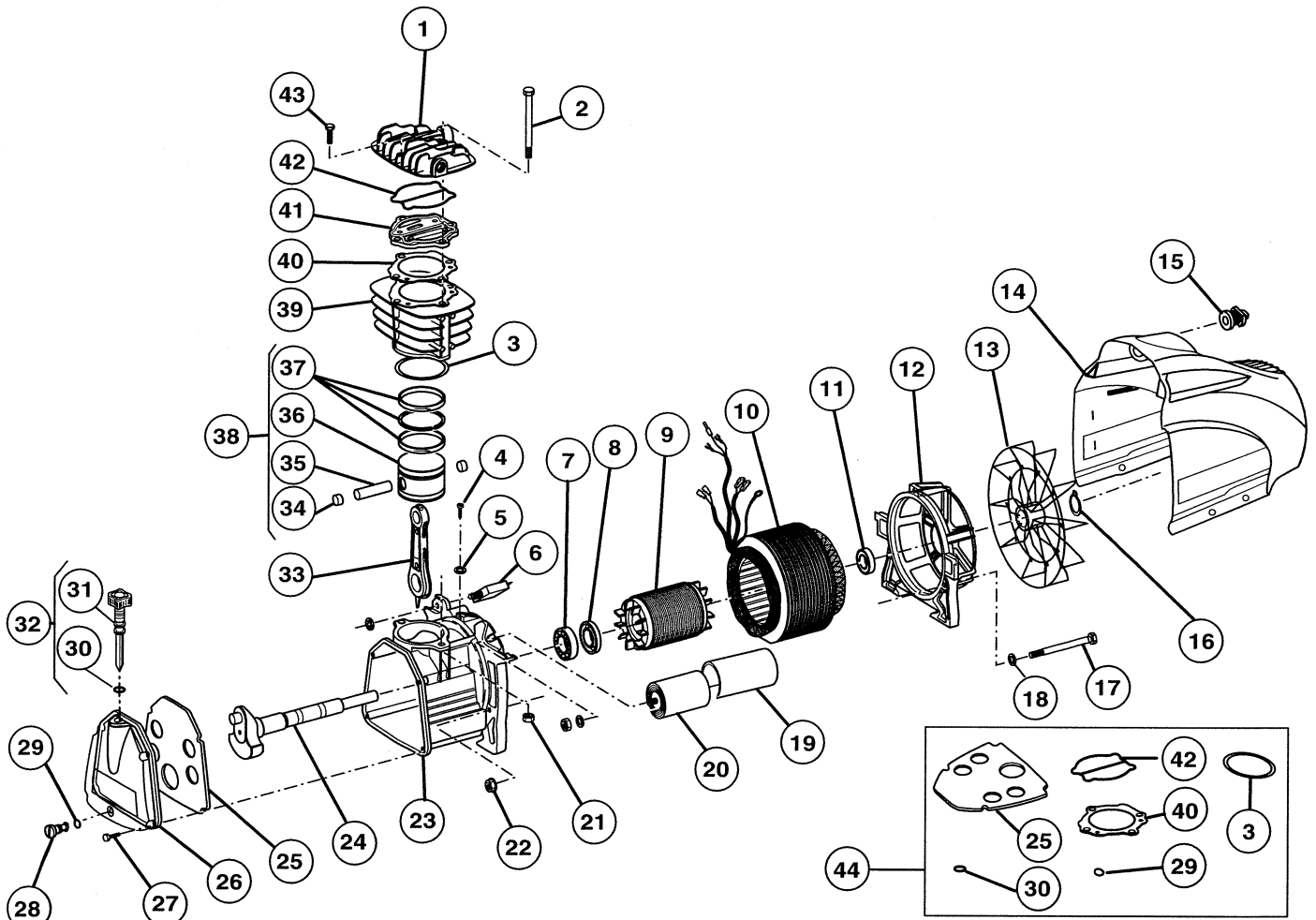
**PARTS LIST FOR FC1500HS3**

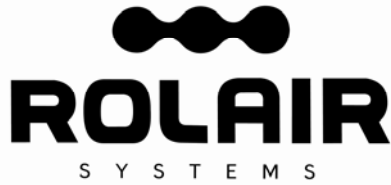
Schematic #	Description	Part #	Qty.
1	1.5 HP Pump/Motor	PMP11SF2500FC	1
2	Handle Grip	FC127HQ0130	1
3	Regulator	FC319108000	1
4	Gauge – Line	FC330006000	1
5	Nipple	FC011017001	1
6	Nylon Tubing	FC046001000	1
7	Gauge – Tank	FC330052000	1
8	Safety Valve	FC047027001	1
9	Elbow	FC011056000	1
10	Nipple	FC199110140	1
11	Pressure Switch	FC321054000	1
12	Cord w/Plug	FC164A08300	1
13	O-Ring	FC010041000	1
14	Spring	FC047113002	1
15	Seal	FC047113001	1
16	Check Valve	FC347043000	1
17	Brass Sleeve	FC011304000	1
18	Lock Nut	FC199437000	1
19	Discharge Tube	FC168HQ0010	1
20	Lock Nut	FC011117002	1
21	Ring	FC011117000	1
22	Discharge Tee	FC199617000	1
23	Bleeder Valve	FC011158000	1
24	Drain Valve	FC022029000	1
25	Rubber Foot	FC020146000	4
26	Tank Assembly	FC165A15001	1
27	Screw	FC014013042	4
28	Vibration Dampener	FC199575000	4



# ROLAIR

SCHMATIC FOR  
PMP11SF2500FC





**ROLAIR SYSTEMS**

606 S. Lake Street, P.O. Box 346  
Hustisford Wisconsin 53034-0346  
Phone: 920-349-3281  
Sales Fax: 920.349.3691  
Service Fax: 920.349.8861  
[www.rolair.com](http://www.rolair.com)

**PARTS LIST FOR PMP11SF2500FC**

Schematic #	Description	Part #	Qty.
1	Head	FC116120015	1
2	Bolt	FC014001071	2
3	O-Ring	FC010133001	1
4	Screw	FC014013001	1
5	Lock Washer	FC014008006	1
6	Manual Reset Button	FC008331000	1
7	Bearing	FC033082000	1
8	Seal	FC010132000	1
9	Rotor	FC134135000	1
10	Stator	FC316122652	1
11	Bearing	FC033005000	1
12	End Bell	FC116120007	1
13	Fan	FC116120008	1
14	Shroud	FC280801021	1
15	Filter Element	FC317064000	1
16	C-Clip	FC015083000	1
17	Bolt	FC014002124	3
18	Lock Washer	FC014008004	3
19	Capacitor Cover	FC116034013	1
20	Capacitor	FC009200075	1
21	Nut	FC014003001	2
22	Nut	FC161190010	3
23	Crankcase	FC116120006	1
24	Crankshaft	FC116120023	1
25	Diaphragm	FC116120030	1
26	Crankcase Cover	FC016120003	1
27	Screw	FC014006024	4
28	Drain Plug	FC014013024	1
29	O-Ring	FC010072000	1
30	O-Ring	FC010024000	1
31	Dipstick	FC012043000	1
32	Dipstick with O-Ring	FC312043000	1
33	Connecting Rod	FC116091021	1
34	Snap Ring	FC015001000	2
35	Piston Pin	FC116022040	1
36	Piston	FC116022004	1
37	Ring Set	FC216022003	1
38	Piston Assembly	FC416022004	1
39	Cylinder	FC116HT0101	1
40	Gasket	FC116HT0003	1
41	Valve Plate	FC116120200	1
42	Gasket	FC116120014	1
43	Bolt	FC014013031	2
44	Gasket Set	FC216120004	1
	1.5 HP Pump/Motor	PMP11SF2500FC	1