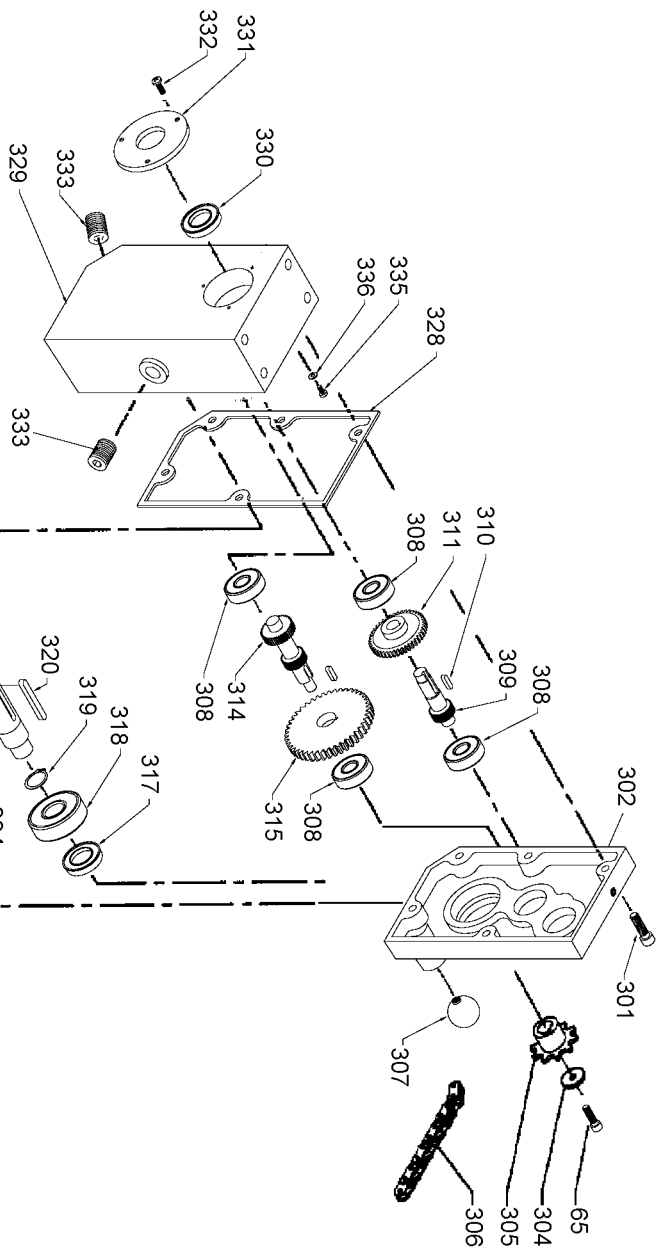


806



331

332

330

329

333

335

336

328

333

308

310

311

308

309

308

302

301

308

314

308

320

319

318

317

323

322

321

334

315

308

307

65

304

305

306

326

327

## Parts List for 22-790X Type 1

| Item Number | Part Number | Description          | Qty Required |
|-------------|-------------|----------------------|--------------|
| 1           | 489177-00   | HEX FLANGE SCREW     | 4            |
| 2           | 1330682     | CLAMP                | 1            |
| 3           | 1349385     | SEAL                 | 1            |
| 4           | 911029      | COVER                | 1            |
| 5           | 1246084     | SET SCREW            | 3            |
| 6           | 1243456     | NUT                  | 2            |
| 7           | 1349370     | CHIP BREAKER         | 1            |
| 8           | 1349387     | KEY                  | 1            |
| 9           | 1346436     | MOTOR ASSY 3HP 1PH   | 1            |
| 10          | A22289      | SWITCH BOX           | 1            |
| 12          | A24627      | WARNING TAG          | 1            |
| 13          | 330019-05   | SCREW,PLASTITE       | 4            |
| 14          | A22262      | SWITCH ASSEMBLY      | 1            |
| 15          | 1349342     | CAPACITOR 500UF      | 1            |
| 17          | 330019-00   | SCREW                | 4            |
| 18          | 1310163     | SCREW                | 1            |
| 19          | 1320101     | LOCK WASHER          | 1            |
| 20          | 48822-00    | BUSHING              | 1            |
| 21          | 1349359     | POWER CORD           | 1            |
| 22          | A22290      | SWITCH BOX           | 1            |
| 23          | 1346437     | CAPACITOR (20UF 3HP  | 1            |
| 24          | D20605      | SCREW #10-32X.750 FI | 4            |
| 25          | 1340637     | WASHER               | 18           |
| 26          | 491964-00   | NUT                  | 8            |
| 27          | A24095      | LABEL                | 1            |
| 28          | 1349877     | HEX FLANGE SCREW     | 17           |
| 29          | 1349369     | DEFLECTOR PLATE      | 1            |

COPYRIGHT© 2005. All Rights Reserved.

Parts list, pricing, and availability subject to change. Please visit [www.dewaltservicenet.com](http://www.dewaltservicenet.com) for current parts information.

## Parts List for 22-790X Type 1

| Item Number | Part Number  | Description       | Qty Required |
|-------------|--------------|-------------------|--------------|
| 30          | 911030       | BRACKET           | 1            |
| 32          | 1246192      | CAP SCREW         | 4            |
| 33          | A23918       | LOGO PLATE        | 1            |
| 34          | 422280790015 | RIVIT             | 1            |
| 35          | A23378       | INDICATOR         | 1            |
| 36          | A24525       | SPEC-LABEL        | 1            |
| 37          | 1330508      | BUSHING           | 2            |
| 38          | A22266       | KNOB              | 1            |
| 39          | 911031       | PULLEY GUARD      | 1            |
| 40          | 1349354      | MOTOR PULLEY      | 1            |
| 42          | 1246034      | CAP SCREW         | 3            |
| 43          | 1349355      | V-BELT (SET OF 3) | 3            |
| 44          | 1349356      | SPACER            | 1            |
| 45          | 911027       | PULLEY COVER      | 1            |
| 47          | 1246020      | CAP SCREW         | 1            |
| 48          | 491889-00    | SCREW HEX HEAD    | 1            |
| 50          | 1349352      | CUTTERHEAD PULLEY | 1            |
| 51          | 1246035      | CAP SCREW         | 6            |
| 52          | 1246116      | FL WASHER         | 4            |
| 53          | 1349351      | BUSHING           | 2            |
| 54          | 1349350      | LOCK BOLT         | 2            |
| 60          | 1330660      | SPRING            | 4            |
| 61          | 1349336      | ROLLER BUSHING    | 3            |
| 62          | 1243395      | HEX NUT           | 4            |
| 63          | 1246166      | SET SCREW         | 4            |
| 64          | 1347065      | PIN               | 4            |
| 65          | 1310105      | SCREW             | 5            |

COPYRIGHT© 2005. All Rights Reserved.

Parts list, pricing, and availability subject to change. Please visit [www.dewaltservicenet.com](http://www.dewaltservicenet.com) for current parts information.

## Parts List for 22-790X Type 1

| Item Number | Part Number | Description      | Qty Required |
|-------------|-------------|------------------|--------------|
| 66          | 1349349     | PLATE            | 4            |
| 67          | 1330410     | ROLL PIN         | 4            |
| 68          | 1349339     | OUTFEED ROLLER   | 1            |
| 69          | 1349337     | KEY              | 2            |
| 72          | 1349335     | FEED SPROCKET    | 1            |
| 73          | 1246014     | CAP SCREW        | 2            |
| 74          | 1246140     | FL WASHER        | 2            |
| 75          | A24096      | WARNING LABEL    | 1            |
| 76          | A24395      | WARNING LABEL    | 1            |
| 77          | A24521      | SPEC-LABEL       | 1            |
| 80          | 1246028     | EXT RET RING     | 2            |
| 81          | 1349345     | COLLAR           | 30           |
| 82          | 1349346     | ANTI KICK FINGER | 29           |
| 83          | 1349347     | SHAFT            | 1            |
| 90          | 1330048     | SCREW            | 8            |
| 91          | 1342000     | SCREW            | 2            |
| 92          | 1349338     | LIMITER PLATE    | 1            |
| 94          | 1349348     | INFEED ROLLER    | 1            |
| 96          | 911028      | BUSHING          | 2            |
| 99          | 1349343     | CHAIN            | 1            |
| 100         | 1349344     | FEED SPROCKET    | 1            |
| 104         | A22267      | KNOB             | 1            |
| 105         | 1349340     | SHAFT            | 1            |
| 106         | A24098      | GEARBOX LABEL    | 1            |
| 110         | 1349379     | HANGER           | 1            |
| 111         | 1243379     | SCREW            | 2            |
| 112         | 1349378     | SPRING           | 1            |

COPYRIGHT© 2005. All Rights Reserved.

Parts list, pricing, and availability subject to change. Please visit [www.dewaltservicenet.com](http://www.dewaltservicenet.com) for current parts information.

## Parts List for 22-790X Type 1

| Item Number | Part Number  | Description        | Qty Required |
|-------------|--------------|--------------------|--------------|
| 114         | 1349376      | IDLER PULLEY ASSY  | 1            |
| 116         | 1349374      | PIVOT              | 1            |
| 117         | 1349381      | COLLAR             | 1            |
| 118         | 22-677       | 15IN HSS PLNR KNIV | 1            |
| 119         | 1349383      | KNIFE LOCKING BAR  | 3            |
| 120         | 1330143      | SCREW              | 15           |
| 121         | 920040224020 | BEARING            | 1            |
| 122         | 1349382      | CUTTERHEAD         | 1            |
| 123         | 1246158      | SET SCREW          | 6            |
| 124         | 1349417      | PINION             | 1            |
| 125         | 1349373      | PLATE              | 2            |
| 126         | 1349380      | COVER              | 1            |
| 127         | 1349916      | SCREW              | 1            |
| 128         | 1346457      | ROLL PIN           | 2            |
| 133         | 428070790002 | KEY                | 1            |
| 135         | 1246006      | CAP SCREW          | 4            |
| 136         | 1330548      | SCREW              | 4            |
| 138         | 1349372      | SPRING             | 3            |
| 139         | A22276       | COVER              | 1            |
| 150         | 1340109      | CONNECTOR          | 2            |
| 151         | 1340110      | MOTOR CORD         | 1            |
| 180         | A23363       | DUST HOOD          | 1            |
| 181         | 1347020      | WASHER             | 2            |
| 183         | A24283       | ADAPTER            | 1            |
| 185         | 1330200      | SCREW              | 1            |
| 186         | 1349389      | ADJUSTING NUT      | 6            |
| 187         | 1320106      | BEARING            | 1            |

COPYRIGHT© 2005. All Rights Reserved.

Parts list, pricing, and availability subject to change. Please visit [www.dewaltservicenet.com](http://www.dewaltservicenet.com) for current parts information.

## Parts List for 22-790X Type 1

| Item Number | Part Number  | Description     | Qty Required |
|-------------|--------------|-----------------|--------------|
| 201         | A22908       | HANDLE          | 1            |
| 202         | A22257       | SET SCREW       | 1            |
| 204         | A23430       | LABEL           | 1            |
| 205         | A22280       | CRANK WHEEL     | 1            |
| 206         | 1349396      | BUSHING         | 1            |
| 207         | 1330504      | NUT             | 4            |
| 208         | 1349397      | KEY             | 1            |
| 209         | 1349394      | ELEVATING SCREW | 1            |
| 210         | 1349392      | COLUMN          | 1            |
| 211         | A24097       | SCALE           | 1            |
| 212         | 1246000      | MACH SCREW      | 2            |
| 213         | 1349393      | COLUMN SPACER   | 4            |
| 214         | 1246017      | CAP SCREW       | 4            |
| 216         | 428060200001 | COLUMN CAP      | 3            |
| 218         | 1349395      | ELEVATING SCREW | 3            |
| 219         | 1349391      | COLUMN          | 3            |
| 221         | 1246038      | SET SCREW       | 4            |
| 222         | 911033       | TABLE           | 1            |
| 223         | 1311003      | SET SCREW       | 8            |
| 224         | 1349402      | ECCENTRIC STUD  | 4            |
| 225         | 920040124029 | BEARING         | 4            |
| 226         | 1243505      | RING            | 4            |
| 227         | 1349403      | SPROCKET        | 4            |
| 228         | 1243502      | WASHER          | 4            |
| 229         | 1243496      | NUT-STEEL       | 4            |
| 230         | 1349175      | CHAIN           | 1            |
| 231         | 1346630      | BEARING         | 4            |

COPYRIGHT© 2005. All Rights Reserved.

Parts list, pricing, and availability subject to change. Please visit [www.dewaltservicenet.com](http://www.dewaltservicenet.com) for current parts information.

## Parts List for 22-790X Type 1

| Item Number | Part Number  | Description      | Qty Required |
|-------------|--------------|------------------|--------------|
| 232         | 1349401      | BED ROLLER       | 2            |
| 233         | 1349404      | SUPPORT ASSY     | 1            |
| 234         | 1345971      | WASHER           | 2            |
| 244         | A22265       | BASE             | 1            |
| 269         | 1349408      | KNIFE GAGE       | 1            |
| 270         | 1349388      | BAR              | 1            |
| 271         | 1246058      | EXT RET RING     | 2            |
| 272         | 1349409      | KNIFE GAGE BLOCK | 2            |
| 273         | 1349411      | OPEN-END WRENCH  | 1            |
| 274         | 1349410      | OPEN-END WRENCH  | 1            |
| 275         | 428071010002 | 6MM HEX WRENCH   | 1            |
| 276         | 884299       | HEX WRENCH (5MM) | 1            |
| 277         | 428061010002 | 3MM HEX WRENCH   | 1            |
| 278         | 428061010003 | USE 891903       | 1            |
| 279         | 1246196      | EXT RET RING     | 1            |
| 280         | 1349406      | IDLER            | 1            |
| 301         | 1243336      | SCREW            | 6            |
| 302         | A29592       | COVER            | 1            |
| 304         | 1344332      | FLAT WASHER      | 1            |
| 305         | 1349432      | SPROCKET         | 1            |
| 306         | 1349434      | CHAIN            | 1            |
| 307         | A23455       | KNOB             | 1            |
| 308         | 400081390008 | BEARING          | 5            |
| 309         | 1349416      | PINION           | 1            |
| 310         | 1349431      | KEY              | 2            |
| 311         | 1349415      | GEAR             | 1            |
| 314         | 1349418      | PINION           | 1            |

COPYRIGHT© 2005. All Rights Reserved.

Parts list, pricing, and availability subject to change. Please visit [www.dewaltservicenet.com](http://www.dewaltservicenet.com) for current parts information.

## Parts List for 22-790X Type 1

| Item Number | Part Number  | Description      | Qty Required |
|-------------|--------------|------------------|--------------|
| 315         | 1349419      | GEAR             | 1            |
| 317         | 1349426      | OIL SEAL         | 1            |
| 318         | 920040216585 | BEARING          | 1            |
| 319         | 1330075      | RETAINING RING   | 1            |
| 320         | 1349430      | KEY              | 1            |
| 321         | 1349428      | BALL             | 1            |
| 322         | 1349420      | SHAFT            | 1            |
| 323         | 1349421      | GEAR             | 1            |
| 326         | 1349422      | HANDLE ROD ASSY  | 1            |
| 327         | 1349425      | O-RING           | 1            |
| 328         | 1349414      | GASKET           | 1            |
| 329         | A29593       | HOUSING          | 1            |
| 330         | 1349427      | OIL SEAL         | 1            |
| 331         | 1349424      | OIL SEAL COVER   | 1            |
| 332         | 1310162      | SCREW            | 2            |
| 333         | 422290740001 | PLUG             | 2            |
| 334         | 1349429      | SPRING           | 1            |
| 335         | 1341046      | SCREW            | 1            |
| 336         | 1340622      | WASHER           | 1            |
| 401         | 1349177      | SCREW            | 12           |
| 402         | A22275       | END CAP          | 4            |
| 403         | 488886-00    | HEX HEAD SCREW   | 6            |
| 404         | A12220       | BOLT             | 8            |
| 405         | A24640       | FOOT             | 4            |
| 406         | 98197-09     | LOCKWASHER       | 20           |
| 407         | 98198-05     | WASHER           | 2            |
| 408         | 5140056-74   | NUT & LOCKWASHER | 6            |

COPYRIGHT© 2005. All Rights Reserved.

Parts list, pricing, and availability subject to change. Please visit [www.dewaltservicenet.com](http://www.dewaltservicenet.com) for current parts information.

## Parts List for 22-790X Type 1

| Item Number | Part Number  | Description   | Qty Required |
|-------------|--------------|---------------|--------------|
| 409         | 330015-02    | NUT,HEX       | 2            |
| 410         | 330015-03    | NUT,HEX       | 12           |
| 411         | 1345781      | CLIP          | 2            |
| 416         | 5140055-72   | SCREW         | 6            |
| 417         | A22278       | SLIDE BAR     | 1            |
| 418         | A22273       | LEG EXTENSION | 2            |
| 419         | A22272       | PLATE         | 2            |
| 420         | A22271       | PLATE         | 2            |
| 421         | A22269       | SIDE PANEL    | 2            |
| 431         | A23401       | LEG ASSEMBLY  | 1            |
| 432         | 5140058-28   | FRAME ASSY.   | 1            |
| 433         | 5140058-28   | FRAME ASSY.   | 1            |
| 434         | 5140058-28   | FRAME ASSY.   | 1            |
| 435         | 5140058-28   | FRAME ASSY.   | 1            |
| 436         | A23410       | ROLLER        | 8            |
| 437         | A23412       | ROD           | 1            |
| 438         | A23411       | ROD           | 1            |
| 439         | 330016-02    | WASHER,PLAIN  | 4            |
| 440         | 5140056-75   | E-CLIP        | 8            |
| 441         | A23402       | LEG ASSEMBLY  | 1            |
| 806         | 999010131210 | OIL - 1PT     | 2            |

COPYRIGHT© 2005. All Rights Reserved.

Parts list, pricing, and availability subject to change. Please visit [www.dewaltservicenet.com](http://www.dewaltservicenet.com) for current parts information.