

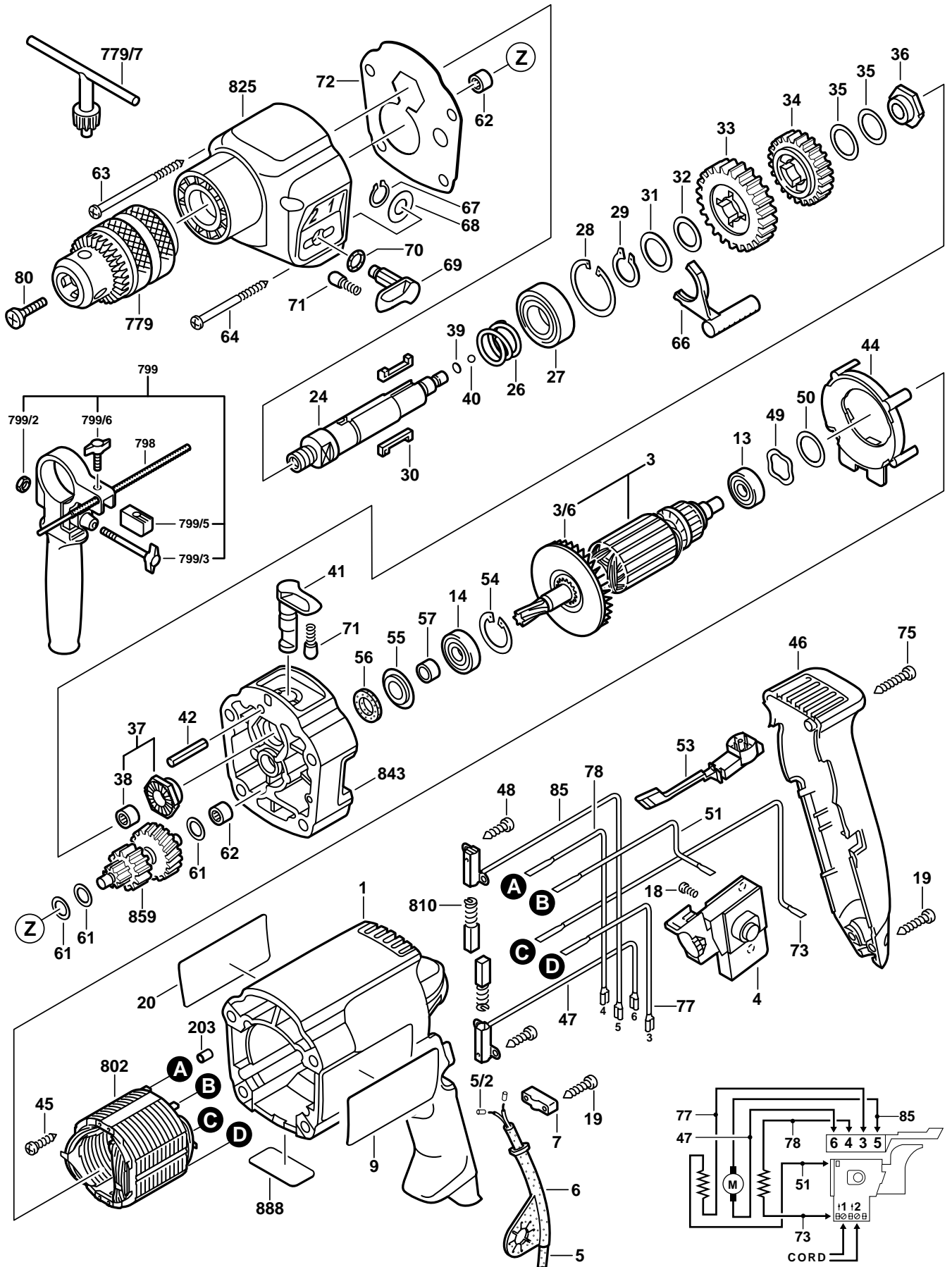
BOSCH

January 2000
INDUSTRIAL

1/2" HAMMER DRILL

Model 0601194639

1194AVSR



1194AVSR 1/2" HAMMER DRILL

Pos.	Part Number	Description {Qty.}	F/C	Pos.	Part Number	Description {Qty.}	F/C
1	2 605 104 322	Motor Housing	71	53	2 607 200 231	Switch REV	16
3	2 604 011 229	Armature w/Fan 120V	AW	54	2 916 669 008	Retaining Ring	89
3/6	2 606 610 029	Fan	23	55	2 600 500 002	Washer	65
4	2 607 200 203	Switch VS	17	56	2 600 108 077	Felt Seal	77
5	3 604 460 555	Cord	11	57	2 600 400 008	Bushing	82
5/2	1 900 452 012	Terminal {2}	11	61	2 600 100 607	Shim 0.3mm {3}	65
6	2 600 707 060	Strain Relief	11	62	2 600 914 010	Needle Bearing {2}	56
7	2 601 035 001	Cord Clamp	89	63	2 603 435 012	Screw {2}	89
9	2 601 117 258	Label "1194AVSR"	9	64	2 603 435 071	Screw {2}	89
13	1 900 905 018	Ball Bearing	60	66	2 602 033 006	Shift Fork	62
14	2 600 905 039	Ball Bearing	61	67	2 916 080 907	Circlip	89
18	2 603 410 001	Screw {2}	89	68	2 600 100 618	Washer	65
19	2 914 201 705	Screw {4}	89	69	2 602 026 038	2-Speed Lever	64
20	2 601 117 147	Label "Caution"	9	70	2 607 010 226	O-Ring Set	78
24	2 606 135 013	Spindle 1/2"-20	52	71	2 600 590 006	Cap/Spring {2}	80
26	2 604 616 002	Spring	27	72	2 601 073 012	Gasket	79
27	1 900 905 163	Ball Bearing	51	73	2 604 448 146	Cable 110mm	10
28	2 916 660 014	Retaining Ring	89	75	2 910 611 022	Screw	89
29	2 916 650 008	Retaining Ring	89	77	2 604 448 100	Cable 68mm	10
30	2 602 300 028	Shift Key {2}	66	78	2 604 448 074	Cable 98mm	10
31	2 600 101 671	Washer	65	80	2 603 421 226	Reversing Screw LH	85
32	2 600 101 515	Washer	65	85	2 604 449 054	Brush Holder w/Cable	25
33	2 606 317 045	Spindle Gear	32	203	2 600 409 014	Shrink Tube {4}	10
34	2 606 317 074	Intermediate Gear	31	779	CKK005	Chuck Kit 1/2" (Jacobs)	
35	2 600 101 616	Shim 0.5mm {2}	65			w/pos. 779/7	91
* 35.1	2 600 101 617	Shim 0.3mm	65	779/7	CRK004	Chuck Key (Jacobs)	9
36	2 600 190 052	Rotating Ratchet	41			fits replacement Jacobs chuck	
37	2 600 190 057	Fixed Ratchet	41	779/7.1	CRK005	Chuck Key (Rohm)	9
		w/pos. 38				fits original Rohm chuck	
38	1 600 910 018	Needle Bearing	56	798	1 613 001 010	Depth Gauge	9
39	2 600 000 014	Shim 0.5mm {4}	65	799	1 612 025 024	Auxiliary Handle Assembly	9
* 39.1	2 600 000 012	Shim 0.2mm	65			w/pos. 799/2-799/6	
40	1 903 230 010	Ball 5.5mm	66	799/2	2 915 011 007	Nut	89
41	2 602 026 017	Hammer Lever	64	799/3	1 613 480 007	Wing Screw	64
42	2 917 780 105	Roll Pin	66	799/5	2 608 040 014	Clamping Plate	80
44	1 610 522 008	Air Deflector	24	799/6	1 613 480 008	Wing Screw	64
45	2 603 435 015	Screw {4}	89	802	2 604 220 907	Field w/Cables 120V	22
46	2 605 132 049	Handle Cover	74			w/pos. 51, 73, 77, 78, 203	
47	2 604 449 053	Brush Holder w/Cable	25	810	2 607 014 015	Brush Set	26
48	2 910 611 405	Screw {4}	89	825	2 605 806 895	Gear Housing Assembly	72
49	2 600 150 004	Spring Washer	65			w/pos. 62	
50	2 600 101 020	Shim 0.5mm	65	843	2 605 700 936	Interm. Flange Assembly	38
* 50.1	2 600 101 022	Shim 0.2mm	65			w/pos. 37, 41, 42, 62, 71	
* 50.2	2 600 101 023	Shim 0.3mm	65	859	2 606 100 920	Gear Assembly	35
51	2 604 448 005	Cable 130mm	10	888	1 601 106 999	Nameplate	9

Service Notes: