



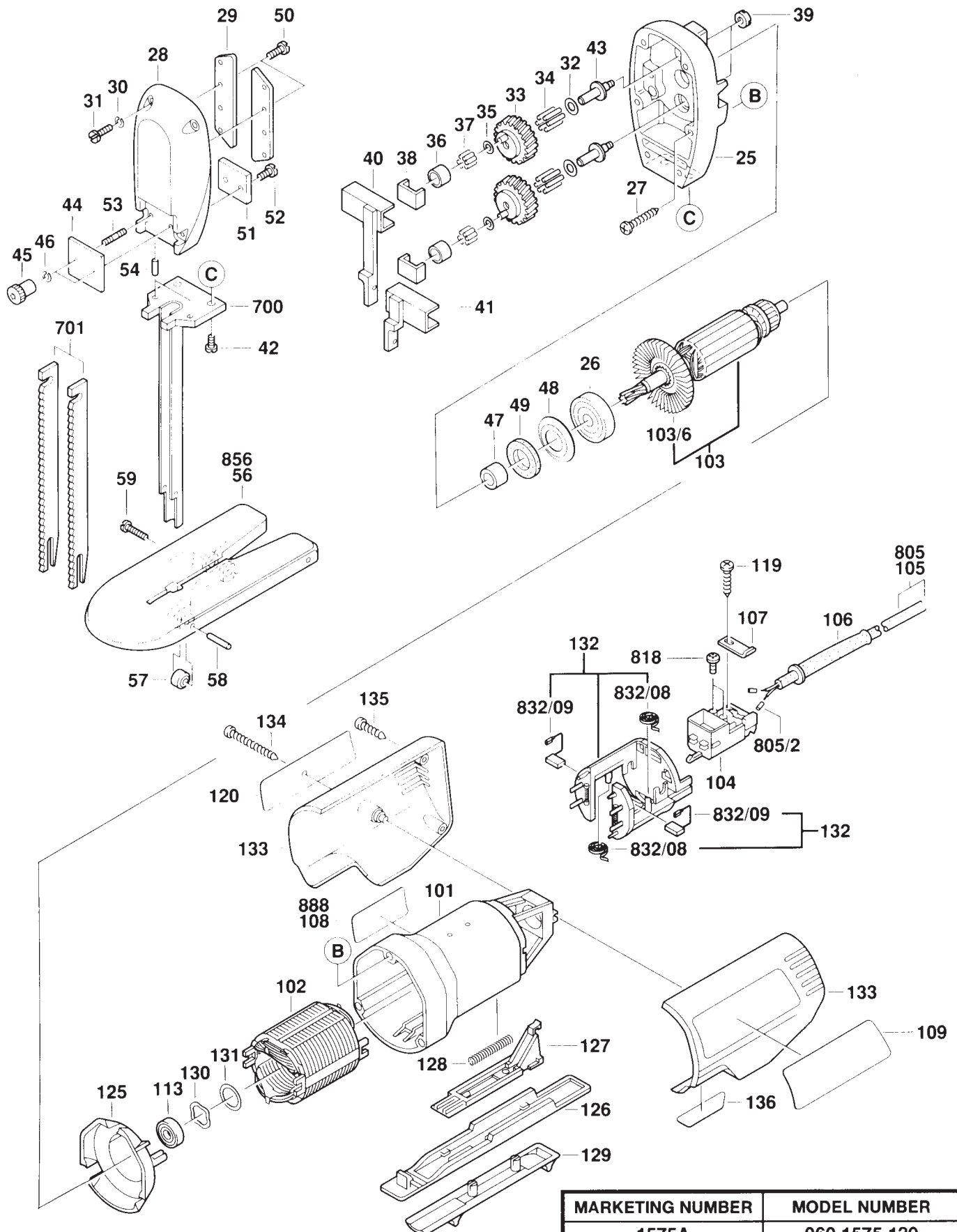
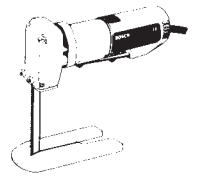
BOSCH

FOAM RUBBER CUTTER 1575A



DOUBLE INSULATED 115V

SERVICE PARTS LIST - APRIL 1993



MARKETING NUMBER	MODEL NUMBER
1575A	060 1575 139

FOAM RUBBER CUTTER 1575A

Pos.	Qty	Part number	Description	F/C	Pos.	Qty	Part number	Description	F/C
25	1	2 605 806 082	Gear Housing	72	106	1	2 600 703 013	Strain Relief	11
26	1	2 600 905 021	Ball Bearing	61	107	1	1 601 302 017	Cord Clamp	89
27	3	2 910 611 020	Screw	89	108	1	See pos. 888	Nameplate	-
28	1	2 605 500 056	Gear Housing Cover	70	109	1	3 601 119 101	Label "1575A"	9
29	2	2 601 038 001	Guide Rail	43	113	1	2 600 905 032	Ball Bearing	60
30	4	2 916 681 005	Lock Washer	89	119	1	2 910 211 219	Screw	89
31	4	2 910 011 128	Screw	89	120	1	3 601 119 095	Label "Caution"	9
* 32	1	2 600 100 611	Shim 0.1mm	65	125	1	2 601 328 002	Baffle	24
* 32.1	1	2 600 100 613	Shim 0.5mm	65	126	1	2 608 001 005	Switch Rocker	9
33	2	2 606 319 007	Eccentric Gear	34	127	1	2 608 001 008	Switch Slide	9
34	26	2 603 201 041	Needle	56	128	1	2 604 611 033	Spring	27
* 35	1	2 600 100 586	Shim 0.2mm	65	129	1	2 608 001 010	Switch Handle	9
* 35.1	1	2 600 100 587	Shim 0.3mm	65	130	1	2 600 150 003	Spring Washer	89
* 35.2	1	2 600 100 588	Shim 0.5mm	65	131	1	2 600 101 617	Shim 0.3mm	89
36	2	2 600 300 005	Needle Cage	56	132	1	2 604 337 050	Brush Holder Assembly	25
37	22	2 603 201 037	Needle	56				w/pos. 832/08, 832/09	
38	2	2 601 320 018	Retaining Slide	65	133	1	2 605 104 339	Motor Housing Cover	70
39	2	2 603 341 007	Nut	89	134	1	2 910 211 283	Screw	89
40	1	2 602 305 016	Plunger	52	135	2	2 910 211 207	Screw	89
41	1	2 602 305 014	Plunger	52	136	1	3 601 110 206	Label "on/off"	9
42	2	2 910 021 118	Screw	89	+ 137	2	2 603 230 001	Ball	66
43	2	2 603 520 010	Axle	54	+ 138	1	2 601 329 037	Spring	27
44	1	2 601 034 010	Plate	9	A 700	1	2 608 135 023	Blade Guide 3"	91
45	2	2 603 345 000	Knurled Nut	85	A 700.1	1	2 608 135 020	Blade Guide 5"	91
46	2	2 916 690 002	Lock Washer	89	A 700.2	1	2 608 135 021	Blade Guide 8"	91
47	1	2 600 300 047	Sleeve	82	A 700.3	1	2 608 135 022	Blade Guide 12"	91
48	1	2 600 500 017	Washer	65	A 701	1	2 607 018 013	Blade Set 3"	94
49	1	2 600 108 026	Felt Washer	77	A 701.1	1	2 607 018 010	Blade Set 5"	94
50	8	2 910 011 082	Screw	89	A 701.2	1	2 607 018 011	Blade Set 8"	94
51	1	2 602 307 001	Plate	9	A 701.3	1	2 607 018 012	Blade Set 12"	94
52	2	2 910 011 084	Screw	89	+A 760	1	2 601 030 010	Scraper	9
53	2	2 603 502 015	Threaded Stud	89	+A 761	1	1 609 200 265	Screwdriver	9
54	2	2 917 500 093	Pin	66	+A 762	1	2 608 133 000	Blade Sharpener	9
56	1	See pos. 856	Foot Plate	-				w/Whetstone	
57	4	2 600 300 011	Roller	88	805	1	3 604 460 555	Cord 115V 18/2	11
58	4	1 903 201 023	Pin	88	805/2	2	1 900 452 012	Terminal Sleeve	11
59	1	2 910 021 132	Screw	89	818	2	1 603 429 002	Screw	89
101	1	2 605 108 056	Motor Housing	71	832/08	2	1 604 652 013	Brush Spring	27
102	1	2 604 220 501	Field 115V	22	832/09	1	3 604 321 008	Brush Set	26
103	1	2 604 010 825	Armature 115V w/fan	AW	A 856	1	2 608 000 908	Foot Plate Assembly	88
103/6	1	2 606 610 064	Fan	23				w/pos. 56,57,58,59	
104	1	2 607 200 311	Switch On/off	15	888	1	1 601 106 990	Nameplate	9
105	1	See pos. 805	Cord 115V 18/2	-					

SERVICE NOTES: