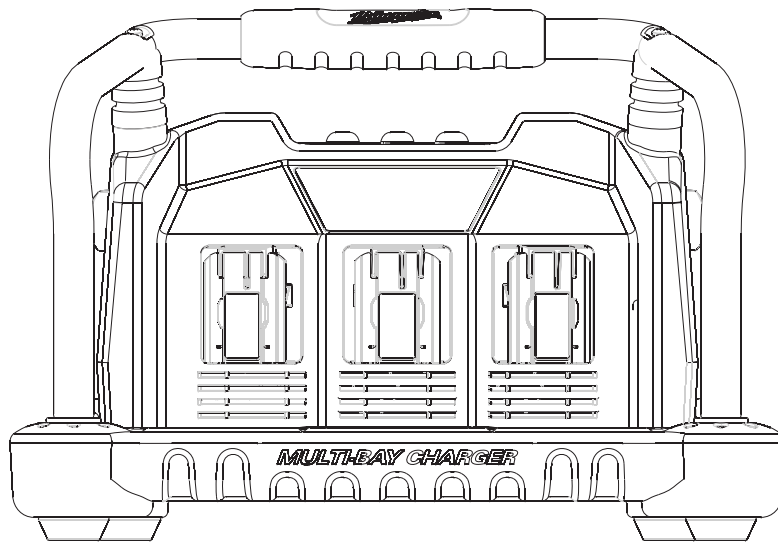




**OPERATOR'S MANUAL
MANUEL de L'UTILISATEUR
MANUAL del OPERADOR**

**Cat. No.
No de Cat.
48-59-0280**



Li-ION/NiCd MULTI-BAY BATTERY CHARGER

CHARGEUR MULTIPLE AU LITHIUM-ION/NICKEL-CADMIUM

CARGADOR DE MÚLTIPLES SEGMENTOS PARA BATERÍAS DE IONES DE LITIO/NIQUEL-CADMIO

TO REDUCE THE RISK OF INJURY, USER MUST READ OPERATOR'S MANUAL.

AFIN DE RÉDUIRE LE RISQUE DE BLESSURES, L'UTILISATEUR DOIT LIRE LE MANUEL DE L'UTILISATEUR.

PARA REDUCIR EL RIESGO DE LESIONES, EL USUARIO DEBE LEER EL MANUAL DEL OPERADOR.

GENERAL SAFETY RULES



WARNING

IMPORTANT SAFETY INSTRUCTIONS READ AND UNDERSTAND ALL INSTRUCTIONS.

Failure to follow all instructions listed below, may result in electric shock, fire and/or serious personal injury.

SAVE THESE INSTRUCTIONS

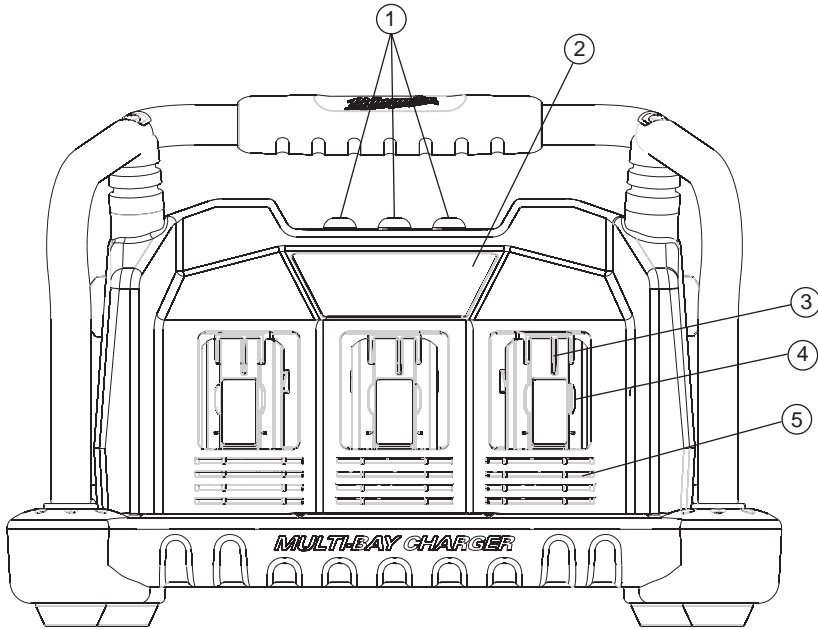
This operator's manual contains important safety and operating instructions for the *MILWAUKEE* Li-Ion/NiCd Multi-Bay Charger. Before using the charger, read this operator's manual, your tool and battery operator's manuals, and all labels on the battery pack, charger and tool.

1. **CAUTION! TO REDUCE THE RISK OF INJURY, CHARGE MILWAUKEE LITHIUM-ION PACKS ONLY IN MILWAUKEE LITHIUM-ION CHARGERS. CHARGE MILWAUKEE NiCd PACKS ONLY IN MILWAUKEE NiCd CHARGERS.** Other types of chargers may cause personal injury or damage.
2. **AVOID DANGEROUS ENVIRONMENTS.** Do not charge battery pack in rain, snow, damp or wet locations. Do not use battery pack or charger in the presence of explosive atmospheres (gaseous fumes, dust or flammable materials) because sparks may be generated when inserting or removing battery pack, possibly causing fire.
3. **CHARGE IN A WELL VENTILATED AREA.** Do not block charger vents. Keep them clear to allow proper ventilation. Do not allow smoking or open flames near a charging battery pack. Vented gases may explode.
4. **MAINTAIN CHARGER CORD.** When unplugging charger, pull plug rather than cord to reduce the risk of damage to the electrical plug and cord. Never carry charger by its cord. Keep cord from heat, oil and sharp edges. Make sure cord will not be stepped on, tripped over or subjected to damage or stress. Do not use charger with damaged cord or plug. Have a damaged cord replaced immediately with identical replacement parts (see "Maintenance").
5. **DO NOT USE AN EXTENSION CORD UNLESS IT IS ABSOLUTELY NECESSARY.** Using the wrong, damaged or improperly wired extension cord could result in the risk of fire and electrical shock. If an extension cord must be used, plug the charger into a properly wired 16 gauge or larger extension cord with pins that are the same number, size and shape as the pins on the charger. Make sure that the extension cord is in good electrical condition.
6. **CHARGER IS RATED FOR 120 VOLT AC ONLY.** Charger must be plugged into an appropriate receptacle.
7. **USE ONLY RECOMMENDED ATTACHMENTS.** Use of an attachment not recommended or sold by the battery charger or battery pack manufacturer may result in a risk of fire, electric shock or personal injury.
8. **UNPLUG CHARGER** when not in use. Remove battery packs from unplugged chargers.
9. **TO REDUCE THE RISK OF ELECTRIC SHOCK,** always unplug charger before cleaning or maintenance. Use a Ground Fault Circuit Interrupter (GFCI) to reduce shock hazards.
10. **DO NOT BURN OR INCINERATE BATTERY PACKS.** Battery packs may explode, causing personal injury or damage. Toxic fumes and materials are created when battery packs are burned.

11. **DO NOT CRUSH, DROP, OR DAMAGE** battery pack. Do not use a battery pack or charger that has received a sharp blow, been dropped, run over, or damaged in any way (e.g., pierced with a nail, hit with a hammer, stepped on).
12. **DO NOT DISASSEMBLE.** Incorrect reassembly may result in the risk of electric shock, fire or exposure to battery chemicals. If it is damaged, take it to a *MILWAUKEE* service facility.
13. **BATTERY CHEMICALS CAUSE SERIOUS BURNS.** Never allow contact with skin, eyes, or mouth. If a damaged battery pack leaks battery chemicals, use rubber or neoprene gloves to dispose of it. If skin is exposed to battery fluids, wash with soap and water and rinse with vinegar. If eyes are exposed to battery chemicals, immediately flush with water for 20 minutes and seek medical attention. Remove and dispose of contaminated clothing.
14. **DO NOT SHORT CIRCUIT.** A battery pack will short circuit if a metal object makes a connection between the positive and negative contacts on the battery pack. Do not place a battery pack near anything that may cause a short circuit, such as coins, keys or nails in your pocket. A short circuited battery pack may cause fire and personal injury.
15. **STORE YOUR BATTERY PACK AND CHARGER** in a cool, dry place. Do not store battery pack where temperatures may exceed 120°F (50°C) such as in direct sunlight, a vehicle or metal building during the summer. Charger will charge the battery when the battery's internal temperature is between 14°F (-10°C) and 150°F (65°C). When the battery temperature is outside that range, charging will not occur.

READ AND SAVE ALL INSTRUCTIONS FOR FUTURE REFERENCE.

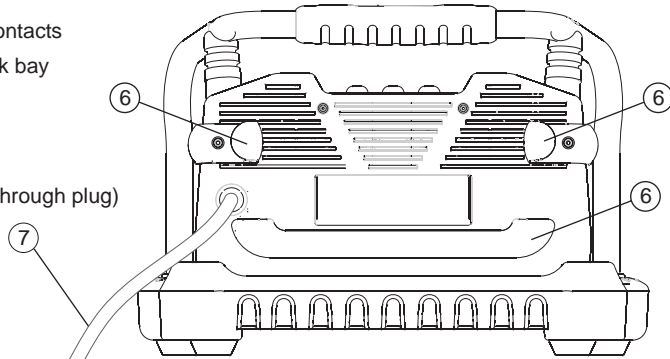
FUNCTIONAL DESCRIPTION



1. Light indicators:

Off	--	Port is ready
Red	Continuous	Charging
Red	Flashing	Battery pack is too hot or too cold (Charging will begin when battery reaches correct charging temperature)
Green	Continuous	Charging is complete
Red and Green	Flashing	Damaged or faulty battery pack

2. Label
3. Electrical contacts
4. Battery pack bay
5. Vents
6. Cord wrap
7. Cord (with pass-through plug)



Symbology

	Double Insulated		Underwriters Laboratories, Inc., United States and Canada
	Volts Direct Current		Hertz
	Volts Alternating Current		Amps

Specifications

Catalog No.	Input Volts AC	Input Amps	Output Volts DC	Output Amps
48-59-0280 *	120	6.3	12-28	3.5

* Charges MILWAUKEE 18-28V Lithium-Ion battery packs and MILWAUKEE 12-18V NiCd battery packs.

TOOL USE AND FEATURES

Multi-Bay, Multi-Voltage, Multi-Chemistry

The independent bays on the Multi-Bay Charger allow for charging up to 3 batteries at the same time. The batteries can be different voltages (12 to 28 Volts) and different chemistries (NiCd or Li-Ion). For example, charge your 12 Volt NiCd battery, 18 Volt NiCd battery, and 28 Volt Li-Ion battery all at once.

Cord Wrap/Pass-Through Plug

A convenient cord wrap stores the 9-foot cord. A pass-through plug keeps an outlet available for other uses.

Job Site Built

The rugged housing of the Multi-Bay Charger is well suited for the harsh environment of job sites. Roll bars and blow-molded plastic protect the charger during falls and bumps.

The high visibility bright indicator lights are mounted on top of the charger for 360° viewing.

Dust covers on the electrical contacts help keep the dust and debris of job sites out of the charger. When a battery pack is inserted, the dust covers automatically retract to allow charging.

Battery packs can be stored on the bays and carried on the charger from job to job. When the charger is plugged in, charging begins for the packs on the bays.

CHARGER OPERATION



WARNING

Charge only **MILWAUKEE 18-28V Lithium-Ion battery packs and MILWAUKEE 12-18V NiCd battery packs in the MILWAUKEE Li-Ion/NiCd Multi-Bay Battery Charger.** Other types of batteries may cause personal injury and damage.

When to Charge the Battery Pack

For MILWAUKEE NiCd Battery Packs:

Charge your battery pack overnight before you use it for the first time and then when your tool no longer performs with the power and torque needed for the job. Never completely discharge the battery pack.

New battery packs reach full loading capacity after 2-10 chargings and dischargings. Battery packs which have not been used for some time should be recharged before use.

For MILWAUKEE Li-Ion Battery Packs:

Remove the battery pack from the tool for charging when convenient for you and your job. **MILWAUKEE** battery packs do not develop a "memory" when charged after only a partial discharge. It is not necessary to run down the battery pack before placing it on the charger.

- Use the Fuel Gauge to determine when to charge your **MILWAUKEE** Li-Ion battery pack.
- You can top-off your battery pack's charge before starting a big job or long day of use.
- The only time it is necessary to charge the **MILWAUKEE** Lithium-Ion battery pack is when the pack has reached the end of its charge. To signal the end of charge, power to the tool will drop quickly, allowing you just enough power to finish making a cut, drilling a hole, or driving a fastener. Charge the battery pack as needed.

How to Charge the Battery Pack

Place the battery pack onto the bay by sliding the pack on from the top of the bay. The red light will come on, either flashing (pack is too hot or cold) or continuous (pack is charging).

- For **MILWAUKEE** Li-Ion battery packs, the Fuel Gauge lights on the battery pack are displayed as the pack is being charged, indicating how fully charged the pack is.
- A fully discharged pack with an internal temperature in the normal range* will charge a NiCd battery pack in 45 minutes or less and a Li-Ion battery pack in 60 minutes or less. Heavily cycled battery packs may take longer to charge completely.

*Normal Range: For Li-Ion, between 32°F and 150°F; for NiCd, between 32°F and 140°F)

- Three battery packs can be charged simultaneously with no change in charging times.
- After charging is complete, the continuous green light will come on. For **MILWAUKEE** Li-Ion packs, the Fuel Gauge lights will go off. The Fuel Gauge button won't work when the pack is on the charger.
- The charger will keep the battery pack fully charged if it is left on the charger.
- After the battery is completely charged, the charger will continue conditioning ("topping-off") the battery to hold a stronger charge. Over time, batteries begin to hold less and less charge. The "top-off" mode helps renew the charge-life of the battery. This process can take from 1 to 4 hours, depending on the battery temperature. The battery may be removed at any point during this cycle with no harm done.

- If the light indicator flashes red and green, check that the battery pack is fully seated into the bay. Remove the pack and reinsert. If the light continues to flash red and green, the battery pack may be extremely hot or cold, or wet. Allow the pack to cool down, warm up, or dry out and then reinsert. If the problem persists, contact a **MILWAUKEE** service facility.
- If the light indicator does not come on, check that the battery pack is fully seated into the bay. Remove the pack and reinsert. If the light indicator still does not come on, contact a **MILWAUKEE** service facility.

Charging a Hot or Cold Battery Pack

The Red Flashing Indicator light on the charger indicates that the battery pack temperature is outside the charging range. Once the pack is within the acceptable range, normal charging will take place and the red light will be continuous. Hot or cold battery packs may take longer to charge.

Li-Ion Charging Status

Battery Pack Temperature	Red Charger Indicator Light	Charging Status
150°F or more	Flashing	Not charging
32°F to 150°F	Continuous	Normal charging
14°F to 32°F	Continuous	Warm-up charging
14°F or less	Flashing	Not charging

NiCd Charging Status

Battery Pack Temperature	Red Charger Indicator Light	Charging Status
140°F or more	Flashing	Not charging
32°F to 140°F	Continuous	Normal charging
32°F or less	Flashing	Not charging

Powering the Charger with an Inverter or Generator

The charger will operate with most generators and inverters rated at 900 Watts or higher. The power required is at least 300 Watts per bay.



WARNING

To reduce the risk of injury, always unplug the charger and remove the battery pack from the charger before performing any maintenance. Never disassemble the battery pack or charger. Contact a **MILWAUKEE** service facility for ALL repairs.

To reduce the risk of injury and damage, never immerse your battery pack or charger in liquid or allow a liquid to flow inside them.

Maintenance and Storage

Store your charger in a cool, dry place.

As a general practice, it is best to unplug battery chargers and remove battery packs when not in use. No battery pack damage will occur, however, if the charger and battery pack are left plugged in.

Cleaning

Clean out dust and debris from charger vents and electrical contacts by blowing with compressed air. Use only mild soap and a damp cloth to clean the battery pack and charger, keeping away from all electrical contacts. Certain cleaning agents and solvents are harmful to plastics and other insulated parts. Some of these include gasoline, turpentine, lacquer thinner, paint thinner, chlorinated cleaning solvents, ammonia and household detergents containing ammonia. Never use flammable or combustible solvents around battery packs, charger, or tools.

Repairs

The **MILWAUKEE** Li-Ion/NiCd charger has no internal serviceable parts. For cordset repairs, return the charger to the nearest authorized service center.

FIVE YEAR TOOL LIMITED WARRANTY

Every *MILWAUKEE* electric power tool (including battery charger) is warranted to the original purchaser only to be free from defects in material and workmanship. Subject to certain exceptions, *MILWAUKEE* will repair or replace any part on a electric power tool which, after examination, is determined by *MILWAUKEE* to be defective in material or workmanship for a period of five (5) years* after the date of purchase. Return the electric power tool and a copy of proof of purchase to a *MILWAUKEE* factory Service/Sales Support Branch location or *MILWAUKEE* Authorized Service Station, freight prepaid and insured, are requested for this warranty to be effective. This warranty does not apply to damage that *MILWAUKEE* determines to be from repairs made or attempted by anyone other than *MILWAUKEE* authorized personnel, misuse, alterations, abuse, normal wear and tear, lack of maintenance, or accidents.

* The warranty period for Hoists (lever, hand chain, & electric chain hoists), Ni-Cd battery packs, Work Lights (cordless flashlights), Job Site Radios, and Trade Titans™ Industrial Work Carts is one (1) year from the date of purchase.

*There is a separate warranty for Li-Ion Battery Packs that accompany the power tools:

*Every *MILWAUKEE* Li-Ion Battery Pack is covered by an initial 1000 Charges/2 Years free replacement warranty. This means that for the earlier of the first 1000 charges or two (2) years from the date of purchase/first charge, a replacement battery will be provided to the customer for any defective battery free of charge. Thereafter, customers will also receive an additional warranty on a pro rata basis up to the earlier of the first 2000 charges or five (5) Years from the date of purchase/first charge. This means that every customer gets an additional 1000 charges or three (3) years of pro rata warranty on the Li-Ion Battery Pack depending upon the amount of use. During this additional warranty period, the customer pays for only the useable service received over and above the first 1000 Charges/2 years, based on the date of first charge and number of charges found on the battery pack via *MILWAUKEE*'s Service Reader. After 1000 charges/2 years from the date of purchase/first charge, the customer will be charged a prorated amount for the service rendered.

Warranty Registration is not necessary to obtain the applicable warranty on a *MILWAUKEE* product. However, proof of purchase in the form of a sales receipt or other information deemed sufficient by *MILWAUKEE*, is requested.

ACCEPTANCE OF THE EXCLUSIVE REPAIR AND REPLACEMENT REMEDIES DESCRIBED HEREIN IS A CONDITION OF THE CONTRACT FOR THE PURCHASE OF EVERY *MILWAUKEE* PRODUCT. IF YOU DO NOT AGREE TO THIS CONDITION, YOU SHOULD NOT PURCHASE THE PRODUCT. IN NO EVENT SHALL *MILWAUKEE* BE LIABLE FOR ANY INCIDENTAL, SPECIAL, CONSEQUENTIAL OR PUNITIVE DAMAGES, OR FOR ANY COSTS, ATTORNEY FEES, EXPENSES, LOSSES OR DELAYS ALLEGED TO BE AS A CONSEQUENCE OF ANY DAMAGE TO, FAILURE OF, OR DEFECT IN ANY PRODUCT INCLUDING, BUT NOT LIMITED TO, ANY CLAIMS FOR LOSS OF PROFITS. THIS WARRANTY IS EXCLUSIVE AND IN LIEU OF ALL OTHER WARRANTIES OR CONDITIONS, WRITTEN OR ORAL, EXPRESSED OR IMPLIED. WITHOUT LIMITING THE GENERALITY OF THE FOREGOING, *MILWAUKEE* DISCLAIMS ANY IMPLIED WARRANTY OF MERCHANTABILITY OR FITNESS FOR A PARTICULAR USE OR PURPOSE, AND ALL OTHER WARRANTIES.

This warranty applies to product sold in the U.S.A., Canada and Mexico only.

Please consult *MILWAUKEE*'s website www.milwaukeetool.com or call 1.800.SAWDUST (1.800.729.3878) to locate your nearest service facility for warranty and non-warranty service on a *MILWAUKEE* electric power tool.

RÈGLES GÉNÉRALES DE SÉCURITÉ



AVERTISSEMENT

CONSIGNES DE SÉCURITÉ IMPORTANTES LIRE ET COMPRENDRE TOUTES LES INSTRUCTIONS.

Le non-respect des instructions ci-après peut entraîner des chocs électriques, des incendies et/ou des blessures graves.

CONSERVER CES INSTRUCTIONS

Ce manuel de l'opérateur contient des instructions importantes en matière de sécurité et de fonctionnement pour leurs chargeurs multiple au lithium-ion/NiCd *MILWAUKEE*. Avant d'utiliser le chargeur, lire ce manuel de l'opérateur, le manuel de l'opérateur de l'outil et batterie, et toutes les étiquettes de la batterie, du chargeur et de l'outil.

- 1. MISE EN GARDE! POUR MINIMISER LES RISQUES DE BLESSURES CORPORELLES, SEULE LA BATTERIE AU LI-ION *MILWAUKEE* DOIT ÊTRE RECHARGÉE AVEC CHARGEUR AU LI-ION. SEULE LA BATTERIE AU NICD *MILWAUKEE* DOIT ÊTRE RECHARGÉE AVEC CHARGEUR AU NICD.** D'autres types de batteries pourraient exploser, occasionnant dommages et blessures corporelles.
- 2. ÉVITEZ LES ENVIRONNEMENTS À RISQUES. N'UTILISEZ PAS LE CHARGEUR SOUS LA PLUIE,** la neige ou dans les endroits humides ou mouillés. Ne vous servez pas du chargeur ou de la batterie en milieu explosifs (émanations de gaz, poussière ou substances inflammables), car il pourrait se produire des étincelles, lors de l'insertion de la batterie dans le chargeur ou lors de son retrait, créant un risque d'incendie.
- 3. RECHARGEZ DANS UN ENDROIT BIEN VENTILÉ.** Ne laissez pas les événements du chargeur se bloquer et assurez-vous qu'ils sont bien ventilés. N'effectuez pas une recharge de batterie à proximité d'une flamme vive ou fumante, afin d'éviter l'explosion des décharges de gaz.
- 4. ENTRETENEZ LE CORDON DU CHARGEUR.** Pour débrancher le chargeur, tirez sur la fiche plutôt que sur le cordon. Ceci minimisera les risques d'endommager la fiche ou le cordon. Ne transportez jamais le chargeur en le tenant par le cordon. Préservez le cordon de la chaleur, des surfaces graisseuses et des arêtes tranchantes. Assurez-vous que l'on ne marche ni ne trébuche sur le cordon et qu'il ne soit pas étiré ou mal utilisé. Ne vous servez pas du chargeur si le cordon ou la fiche sont en mauvais état. Faites immédiatement remplacer le cordon endommagé par une pièce de rechange identique. Voir "Maintenance".
- 5. N'UTILISEZ PAS DE RALLONGE À MOINS QUE CE NE SOIT ABSOLUMENT INDISPENSABLE.** L'utilisation d'une rallonge inadaptée, endommagée ou d'un câblage de mauvais calibre peut constituer un risque d'incendie ou de choc électrique. Si vous devez utiliser une rallonge, branchez le chargeur dans un cordon de rallonge de calibre 16 ou plus, possédant des broches dont la quantité, la taille et la forme sont équivalentes à celles du chargeur. Assurez-vous que la rallonge est en bon état.

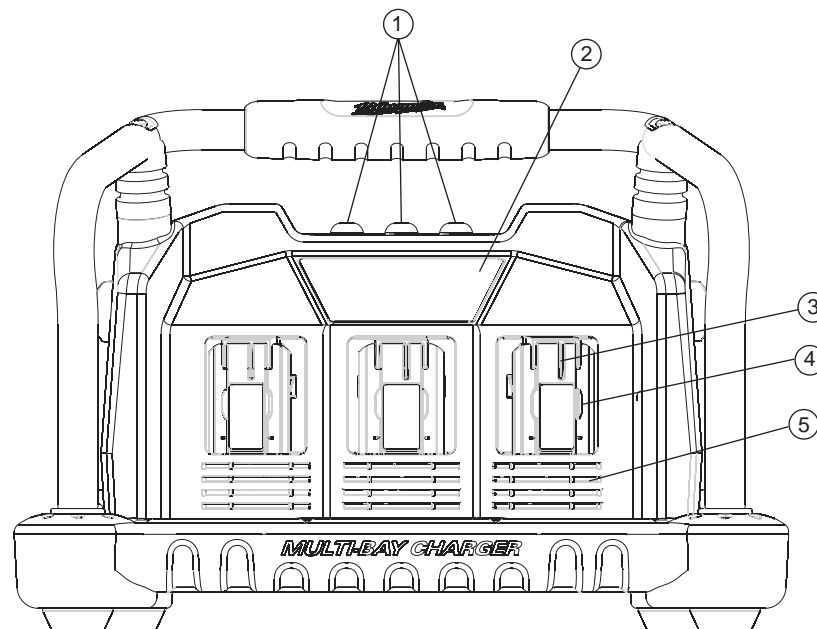
6. **LE CHARGEUR FONCTIONNE SUR 120 VOLTS C.A. SEULEMENT.** Il doit être branché sur une prise appropriée.
7. **N'UTILISEZ QUE LES ACCESSOIRES RECOMMANDÉS.** L'utilisation d'un accessoire qui n'est ni recommandé, ni vendu par le fabricant peut constituer un risque d'incendie, de choc électrique ou de blessure.
8. **DÉBRANCHEZ LE CHARGEUR** et enlevez la batterie lorsqu'il ne sert pas.
9. **POUR RÉDUIRE LE RISQUE DE CHOC ÉLECTRIQUE,** débranchez toujours le chargeur avant le nettoyage ou l'entretien et ne vous contentez pas uniquement de placer les commandes sur arrêt. Utilisez un disjoncteur différentiel pour réduire les risques de choc électrique.
10. **NE PAS BRÛLER OU INCINÉRER LES BATTERIES.** Les batteries peuvent exploser et causer des blessures ou des dommages. Des gaz et des matériaux toxiques sont créés lorsque les batteries au lithium-ion sont brûlées.
11. **NE PAS ÉCRASER, LAISSER TOMBER OU ENDOMMAGER** la batterie. Ne pas utiliser une batterie ou un chargeur qui ont reçu choc important, qui sont tombés, ont été écrasés ou endommagés de quelle que façon que ce soit (par exemple percés par une pointe, heurtés par un marteau, piétinés).
12. **NE PAS DÉMONTER.** Un remontage incorrect peut causer des risques de chocs électriques, d'incendies ou d'exposition des produits chimiques de la batterie. Si elle est endommagée, l'apporter à un centre d'entretien *MILWAUKEE*.
13. **LE LIQUIDE DE LA BATTERIE PEUT CAUSER DES BRÛLURES CHIMIQUES GRAVES.** Ne permettez jamais que le liquide de la batterie ne vienne en contact avec la peau ou les yeux. Si du liquide s'écoule d'une batterie, mettez des gants de caoutchouc ou

de néoprène pour disposer du liquide. Si la peau vient en contact avec le liquide, lavez-la à l'eau savonneuse et rincez-la ensuite au vinaigre. Enlevez les vêtements souillés et disposez-en. Si les yeux sont affectés, arrosez-les immédiatement avec de l'eau en abondance pendant 20 minutes et demandez l'aide d'un médecin.

14. **ATTENTION AUX COURTS-CIRCUITS!** Il se produira un court-circuit si un objet métallique établit le contact entre les bornes positive et négative de la batterie. Ne placez pas la batterie près d'objets qui pourraient causer un court-circuit, les pièces de monnaie ou les clés contenues dans votre poche, par exemple. Si un court-circuit se produit dans la batterie, il pourra en résulter un risque d'incendie ou de blessures corporelles.
15. **RANGÉ LA BATTERIE ET LE CHARGEUR** dans un endroit sec et frais. Ne rangez pas la batterie dans un endroit où la température pourrait dépasser 50°C (120°F), comme par exemple un véhicule ou une structure métallique en été. La recharge s'effectue lorsque la température ambiante se situe entre -10°C (14°F) et 65°C (150°F). Lorsque la température de la batterie n'est pas comprise dans cette plage, le chargement n'a pas lieu.

**LIRE ET CONSERVER TOUTES
LES INSTRUCTIONS POUR
RÉFÉRENCE FUTURE.**

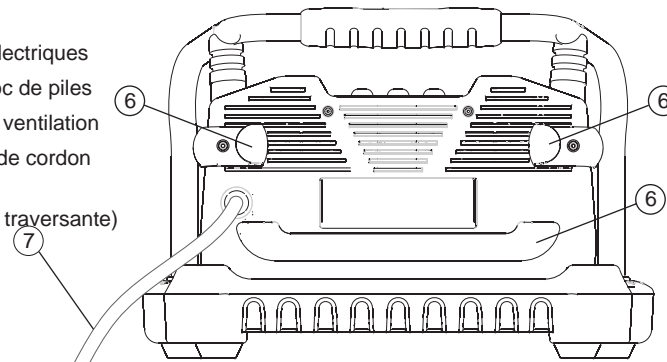
DESCRIPTION FONCTIONNELLE









1. Voyants:

Éteint	--	La prise est prête
Rouge	Permanence	En charge
Rouge	Clignotant	Le bloc de piles est trop froid ou trop chaud (la charge commencera lorsque la pile sera à la température de charge correcte)
Vert	Permanence	La charge est terminée
Rouge et Vert	Clignotant	Batterie endommagée ou défectueuse

2. Étiquette
3. Contacts électriques
4. Baie du bloc de piles
5. Orifices de ventilation
6. Logement de cordon
7. Cordon (avec fiche traversante)



Pictographie

	Double Isolation		Underwriters Laboratories, Inc., États-Unis et Canada
	Volts courant continu		Fréquence
	Volts courant alternatif		Amps

Spécifications

No de Cat.	Alimentation en V c.a.	Alimentation en A	Sortie en courant continu	Sortie en A
48-59-0280 *	120	6,3	12-28	3,5

* Des batteries d'Lithium-Ion de MILWAUKEE 18-28V et les batteries de MILWAUKEE 12-18V NiCd sont chargées.

UTILISATION ET CARACTÉRISTIQUES DE L'OUTIL

Multi-baie, multi-tension, multi-composant chimique

Les baies indépendantes sur le chargeur multiple permet une charge simultanée de trois batteries. Les batteries peuvent être de tensions différentes (12 à 18 V) et de composants chimiques différents (lithium-ion ou nickel-cadmium). Par exemple, charger la batterie au nickel-cadmium de 12 V et la batterie au lithium-ion de 28 V simultanément.

Logement de cordon/Fiche traversante

Un logement pratique permet de ranger le cordon de 2,7 m (9 pi). Une fiche traversante permet de conserver une prise disponible pour d'autres besoins.

Construit pour être utilisé sur le lieu de travail

Le robuste boîtier du chargeur multiple est parfait pour l'environnement difficile des lieux de travail. Les arceaux et le boîtier en plastique moulé par soufflage protègent le chargeur contre les chutes et les coups.

Les voyants très visibles sont situés sur le dessus du chargeur pour être repérés de partout.

Les capuchons anti-poussière protègent les contacts électriques contre la poussière et les débris communs sur les lieux de travail. Les capuchons anti-poussière se rétractent automatiquement lors de l'insertion du bloc de piles pour permettre la charge.

Les blocs de piles peuvent être laissés dans les baies et transportés avec le chargeur d'un lieu de travail à un autre. La charge des blocs de piles commence lorsque le chargeur est branché.

FONCTIONNEMENT DU CHARGEUR

AVERTISSEMENT

Ne charger que des batteries au lithium-ion 18-28V MILWAUKEE et batteries au NiCd 12-18V MILWAUKEE dans le chargeur multiple lithium-ion/NiCd. D'autres types de batterie peuvent causer des blessures ou des dommages.

Quand charger la batterie

Pour batteries au NiCd MILWAUKEE:

Rechargez la batterie avant de vous servir de l'outil la première fois, ou lorsque l'outil n'offre plus la puissance et le couple nécessaires au travail à accomplir. Ne laissez jamais la batterie s'épuiser complètement.

Les batteries neuves n'atteignent leur puissance maximale qu'après 2 ou 10 cycles de recharge-décharge. Les batteries demeurées inactives durant un certain temps devraient être rechargées avant d'être utilisées.

Pour batteries au lithium-ion MILWAUKEE:

Retirer la batterie de l'outil pour la charge quand cela est pratique pour l'utilisateur et le travail. Les batteries au lithium-ion MILWAUKEE ne développent pas de « mémoire » lorsqu'elles sont chargées uniquement après une décharge partielle. Il n'est pas nécessaire de décharger la batterie avant de la mettre sur le chargeur.

- Utiliser l'indicateur de niveau d'énergie pour déterminer quand charger la batterie lithium-ion MILWAUKEE.
- Il est possible de compléter la charge de la batterie avant de commencer un important travail ou une longue journée d'utilisation.
- Il n'est nécessaire de charger la batterie au lithium-ion MILWAUKEE que lorsqu'elle a atteint la fin de sa charge. Pour signaler la fin de la charge, l'alimentation vers l'outil baisse rapidement, laissant à l'utilisateur juste assez de puissance pour terminer une coupe, percer un trou ou enfoncer un dispositif de fixation. Charger la batterie selon le besoin.

Comment charger la batterie

Placer la batterie sur la baie en l'y glissant depuis le haut de la baie. Le témoin rouge s'allume, soit en clignotant (la batterie est trop chaude ou trop froide) soit en continu (la batterie est en cours de chargement).

- Pour batteries au lithium-ion MILWAUKEE, alors que la batterie charge, les témoins de l'indicateur de niveau d'énergie de la batterie s'allument, indiquant le niveau de charge de la batterie.
- Un bloc de batteries complètement déchargé, avec une température interne de plage normale, charge un bloc de batteries au nickel-cadmium en 45 minutes ou moins et un bloc de batteries au lithium-ion en 60 minutes ou moins. Les batteries en service sévère peuvent nécessiter plus de temps pour se charger.

*Plage normale : Pour lithium-ion, entre 0 et 65°C (32 et 150°F). Pour NiCd, entre 0 et 60°C (32 et 140°F).

- Trois blocs de piles peuvent être chargés simultanément sans changement du temps de charge.
- Une fois la charge terminée, le témoin vert continu s'allume et les témoins de l'indicateur d'énergie s'éteignent. Pour batteries au lithium-ion MILWAUKEE, le bouton de l'indicateur d'énergie de la batterie ne fonctionne pas si la batterie est sur le chargeur.
- Le chargeur maintient la batterie complètement chargée si elle est laissée dessus.
- Le voyant vert peut commencer à clignoter lorsque la pile est complètement chargée. Cela signifie que le chargeur conditionne (« augmente la limite ») la pile pour qu'elle emmagasine une charge plus importante. Les piles tiennent de moins en moins la charge dans le temps. Le mode « top off » permet de régénérer la durée de tenue de la charge de la pile. Cela peut prendre de 1 à 4 heures suivant la température de la batterie. La batterie peut être enlevée à tout moment pendant l'opération, sans aucun risque.

- Si le voyant clignote rouge et vert, vérifier que la batterie est bien installée dans la baie. Retirer la batterie puis la réinsérer. Si le voyant continue à clignoter rouge et vert, c'est que la batterie peut être extrêmement chaude ou froide, ou mouillée. Laisser la batterie refroidir, se chauffer ou sécher puis la réinsérer. Si le problème persiste, contacter le service *MILWAUKEE*.
- Si le voyant clignote ne s'allume pas, vérifier que la batterie est bien installée dans la baie. Retirer la batterie et la réinsérer. Si le voyant ne s'allume toujours pas, contacter le service *MILWAUKEE*.

Chargement d'une batterie chaude ou froide

Le témoin clignotant rouge du chargeur indique que la température de la batterie est hors de la plage de charge. Une fois que la batterie est dans la plage acceptable, une charge normale commence et le témoin rouge s'allume en continu. Des batteries froides ou chaudes peuvent nécessiter plus de temps pour se recharger.

État de charge au Lithium-ion		
Température de la batterie	Témoin rouge de l'indicateur du chargeur	État de charge
65°C (150°F) ou plus	Clignotant	Pas de charge
de 0 à 65°C (32 à 150°F)	Continu	Charge normale
de -10 à 0 (14 à 32°F)	Continu	Chargement de chauffe
-10°C (14°F) ou moins	Clignotant	Pas de charge

État de charge au NiCd		
Température de la batterie	Témoin rouge de l'indicateur du chargeur	État de charge
60°C (140°F) ou plus	Clignotant	Pas de charge
de 0 à 60°C (32 à 140°F)	Continu	Charge normale
0°C (32°F) ou moins	Clignotant	Pas de charge

Alimentation du chargeur avec un inverseur ou un générateur

Le chargeur fonctionne avec la plupart des générateurs ou des inverseurs qualifiés à 900 watts au minimum. La puissance minimale requise est de 300 watts par baie.

Entretien et remisage

Remiser le chargeur dans un lieu frais et sec. D'une manière générale, il est préférable de débrancher les chargeurs de batterie et de retirer les batteries quand elles ne sont pas utilisées. Il n'y a toutefois pas de risque de dommage si le chargeur et la batterie sont laissés branchés.



AVERTISSEMENT

Pour réduire le risque de blessure, toujours débrancher le chargeur et retirer la batterie du chargeur avant d'effectuer un quelconque entretien. Ne jamais démonter la batterie ou le chargeur. Contacter un centre d'entretien *MILWAUKEE* pour TOUTES les réparations.

Pour réduire le risque de blessure ou de dommage, ne jamais plonger la batterie ou le chargeur dans un liquide et ne jamais laisser de l'eau s'y infiltrer.

Nettoyage

Nettoyer la poussière et les débris des événements et des contacts électriques du chargeur à l'air comprimé. N'utiliser que du savon doux et un chiffon humide pour nettoyer la batterie et le chargeur, en évitant les contacts électriques. Certains produits de nettoyage ou solvants sont nocifs pour les plastiques et les pièces isolées, notamment: essence, essence de térébenthine, diluant pour vernis, diluant pour peintures, solvant chloré, ammoniacque et détergents ménagers contenant de l'ammoniacque. Ne jamais utiliser de solvants inflammables ou combustibles à proximité des batteries, du chargeur ou des outils.

Réparations

Le chargeur ne comporte aucune pièce interne réparable. Pour les réparations du cordon, apporter le chargeur au centre d'entretien agréé le plus proche.

GARANTIE LIMITÉE DE L'OUTIL DE CINQ ANS

Chaque outil électrique *MILWAUKEE* (y compris le chargeur de batterie) est garanti à l'acheteur d'origine être exempt de vice du matériau et de fabrication. Sous réserve de certaines exceptions, *MILWAUKEE* réparera ou remplacera toute pièce d'un outil électrique qui, après examen, sera avéré par *MILWAUKEE* être affecté d'un vice du matériau ou de fabrication pendant une période de cinq (5) ans* après la date d'achat. Le retour de l'outil électrique, accompagné d'une copie de la preuve d'achat à un site d'entretien d'usine/de promotion des ventes de *MILWAUKEE* ou à un poste d'entretien agréé *MILWAUKEE*, en port prépayé et assuré, est requis pour que cette garantie s'applique. Cette garantie ne couvre pas les dommages que *MILWAUKEE* détermine être causés par des réparations ou des tentatives de réparation par quiconque autre que le personnel agréé par *MILWAUKEE*, des utilisations incorrectes, des altérations, des utilisations abusives, une usure normale, une carence d'entretien ou les accidents.

* La période de garantie pour les palans (palans à levier, à chaîne manuelle et à la chaîne électrique), les ensembles de batteries au Ni-Cd, les projecteurs de travail (lampes sans fil), les radios de chantier et les chariots de travail industriel Trade Titans™ est de un (1) an à partir de la date d'achat.

*Il existe une garantie séparée pour les ensembles de batteries au Li-Ion qui accompagnent les outils électriques :

*Chaque bloc de batteries au Li-Ion *MILWAUKEE* est couvert par une garantie de remplacement gratuit initial pour 1 000 charges/2 ans. Ceci signifie qu'avant les 1 000 premières charges ou deux (2) années suivant la date d'achat/la première charge, une batterie de rechange sera gratuitement fournie au client pour toute batterie défectueuse. Par la suite, les clients recevront aussi une garantie supplémentaire calculée au prorata dans la limite de 2 000 charges ou cinq (5) années suivant la date d'achat/la première charge, à la première échéance. Ceci signifie que chaque client obtient une garantie au prorata supplémentaire de 1 000 charges ou de trois (3) des années du bloc de batteries au Li-Ion en fonction de l'utilisation. Pendant cette période de garantie supplémentaire, le client ne paye que pour le service utilisable reçu au-delà des 1 000 premières charges/2 premières années, en fonction de la date de la première charge et du nombre de charges du bloc de batteries déterminés par le lecteur de service *MILWAUKEE*. Au-delà de 1 000 charges/2 ans à compter de la date d'achat/de la première charge, le client sera facturé un montant au prorata du service rendu.

L'enregistrement de la garantie n'est pas nécessaire pour bénéficier de la garantie en vigueur sur un produit *MILWAUKEE*. Une preuve d'achat sous la forme d'un reçu de vente ou d'autres informations considérées suffisantes par *MILWAUKEE* est cependant requise.

L'ACCEPTATION DES RECOURS EXCLUSIFS DE RÉPARATION ET DE REMPLACEMENT DÉCRITS PAR LES PRÉSENTES EST UNE CONDITION DU CONTRAT D'ACHAT DE TOUT PRODUIT *MILWAUKEE*. SI VOUS N'ACCEPTEZ PAS CETTE CONDITION, VOUS NE DEVEZ PAS ACHETER LE PRODUIT. EN AUCUN CAS *MILWAUKEE* NE SAURAIT ÊTRE RESPONSABLE DE TOUT DOMMAGE ACCESSOIRE, SPÉCIAL OU INDIRECT, DE DOMMAGES-INTÉRÊTS PUNITIFS OU DE TOUTE DÉPENSE, D'HONORAIRES D'AVOCATS, DE FRAIS, DE PERTE OU DE DÉLAIS ACCESSOIRES À TOUT DOMMAGE, DÉFAILLANCE OU DÉFAUT DE TOUT PRODUIT, Y COMPRIS NOTAMMENT LES PERTES DE PROFIT. CETTE GARANTIE EST EXCLUSIVE ET REMPLACE TOUTE AUTRE GARANTIE OU CONDITION, ÉCRITE OU VERBALE, EXPRESSE OU IMPLICITE. SANS LIMITER LA GÉNÉRALITÉ DES DISPOSITIONS PRÉCÉDENTES, *MILWAUKEE* DÉCLINE TOUTE GARANTIE IMPLICITE DE QUALITÉ MARCHANDE OU D'ADAPTATION À UNE UTILISATION OU À UNE FIN PARTICULIÈRE ET TOUTE AUTRE GARANTIE.

Cette garantie s'applique aux produits vendus aux États-Unis, au Canada et au Mexique uniquement.

Veillez consulter le site Internet de *MILWAUKEE*, www.milwaukeetool.com, ou appeler le 1.800.SAWDUST (1.800.729.3878) pour trouver le site d'entretien le plus proche pour toute réparation, garantie ou non, d'un outil électrique *MILWAUKEE*.

REGLAS GENERALES DE SEGURIDAD



ADVERTENCIA

MEDIDAS DE SEGURIDAD IMPORTANTES LEA Y COMPRENDA TODAS LAS INSTRUCCIONES.

Si no se siguen todas las instrucciones a continuación se puede provocar una descarga eléctrica, un incendio y/o lesiones personales graves.

GUARDE ESTAS INSTRUCCIONES

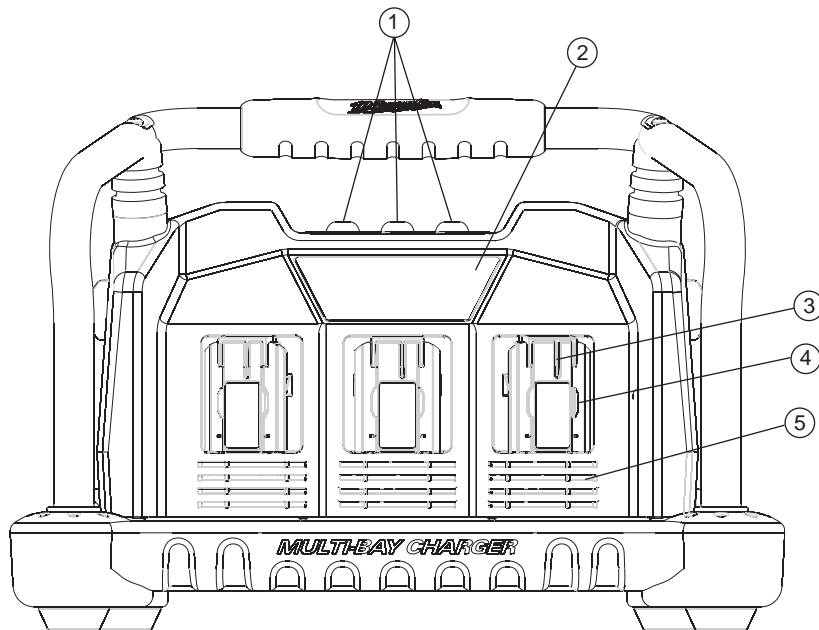
Este manual del operador contiene importantes instrucciones de seguridad y funcionamiento para el cargador de múltiples *MILWAUKEE* iones de litio/níquel-cadmio. Antes de usar el cargador, lea este manual del operador, el manual del operador de la herramienta y batería, y todas las etiquetas en la batería, el cargador y la herramienta.

- 1. ADVERTENCIA! PARA REDUCIR EL RIESGO DE UNA LESIÓN, CARGUE SOLO BATERÍAS *MILWAUKEE* DE 18-28 VOLT DE IONES DE LITIO. CARGUE SOLO BATERÍAS *MILWAUKEE* DE 18 VOLT DE NÍQUEL-CADMIO EN EL CARGADOR DE IONES DE NÍQUEL-CADMIO.** Cualquier otro tipo de batería puede explotar, causando lesiones personales y daños.
- 2. EVITE AMBIENTES PELIGROSOS. NO USE EL CARGADOR CUANDO LLUEVA,** nieve o hay condiciones de alta humedad. Tampoco use la batería ni el cargador en presencia de una atmósfera explosiva (gases, polvos o materiales inflamables), ya que se puede generar una chispa cuando se inserta o se retira una batería, y se podría crear un fuego.
- 3. CARGUE SOLO EN AREAS BIEN VENTILADAS.** No obstruya las ventilas del cargador. Manténgalas limpias para permitir una ventilación adecuada. No permita que se fume o haya flamas cerca de la batería ya que los gases pueden explotar.
- 4. CUIDE EL CABLE DEL CARGADOR.** Cuando desconecte el cargador, jale de la clavija y no del cable, con el objeto de reducir el daño al cable. Nunca tome el cargador del cable. Mantenga este lejos del calor, aceite y de orillas afiladas. Asegúrese que no pisen el cable ni que lo maltraten o lo hagan objeto de daños o tensión. No use un cargador que tenga el cable o la clavija dañado. Haga cambiar de inmediato un cable que esté dañado, por uno idéntico (vea "Mantenimiento").
- 5. NO USE UN CABLE DE EXTENSION A MENOS QUE SEA ABSOLUTAMENTE NECESARIO.** El uso de un cable de extensión equivocado, dañado o incorrectamente cableado puede representar un riesgo de incendio o de descarga eléctrica. Si es necesario utilizar un cable de extensión, conecte el cargador a uno de calibre 16 o mayor, debidamente cableado y cuyos conductores sean iguales en número, tamaño y forma a los conductores en el cargador. Asegúrese de que el cable de extensión se halle en buenas condiciones eléctricas.
- 6. EL CARGADOR ESTA ESPECIFICADO PARA 120 VOLTS, CORRIENTE ALTERNA (CA) SOLAMENTE** y deberá conectarse a un toma corriente adecuado.

- 7. USE ÚNICAMENTE LOS ACCESORIOS RECOMENDADOS.** El uso de un accesorio no recomendado ni vendido por el fabricante del cargador de batería puede representar un riesgo de incendio, de descarga eléctrica o de seguridad personal.
- 8. DESCONECTE EL CARGADOR** y quite la batería luego de una carga.
- 9. PARA DISMINUIR EL RIESGO DE SUFRIR UNA DESCARGA ELÉCTRICA,** desconecte siempre el cargador antes de limpiarlo o darle mantenimiento. La desactivación de la unidad por medio de los mandos no disminuye este riesgo. Utilice un interruptor de circuito accionado por corriente de pérdida a tierra (GFCI) para disminuir el peligro de sufrir una descarga eléctrica.
- 10. NO QUEME NI INCINERE LAS BATERÍAS.** Las baterías pueden explotar, produciendo lesiones personales o daños.
- 11. NO APLASTE, DEJE CAER NI DAÑE LA BATERÍA.** No use una batería o cargador que ha sufrido un fuerte golpe, se ha caído, ha sido atropellado o se ha dañado de cualquier manera (por ejemplo, ha sido atravesado por un clavo, golpeado por un martillo, pisado).
- 12. NO LA DESMONTE.** Si se vuelve a montar de manera incorrecta se puede producir un riesgo de descarga eléctrica, incendio o exposición a los productos químicos de la batería. Si está dañada, llévela a un centro de reparaciones *MILWAUKEE*.
- 13. LOS FLUIDOS DE LAS BATERÍAS CAUSAN SERIAS QUEMADURAS.** Nunca permita que estén en contacto con los ojos o la piel. Si se salen los fluidos de una batería dañada, use guantes de hule o de neopreno para desecharla. Si la piel queda expuesta a los fluidos de la batería, lávese con jabón y agua y tállese con vinagre. Quítese y deshágase de la ropa contaminada. Si los ojos se ven afectados, de inmediato láveselos con agua corriente durante 15 minutos y luego busque atención médica.
- 14. NO HAGA CORTO CIRCUITO.** Una batería entrará en corto circuito si un objeto de metal hace contacto entre los contactos negativo y positivo de la batería. No coloque una batería cerca de algo que pueda crear un corto circuito, como pueden ser monedas o llaves en la bolsa. Una batería en corto puede generar fuego o lesiones personales.
- 15. GUARDE SU BATERIA Y EL CARGADOR** en un sitio fresco y seco. No guarde su batería en sitios donde la temperatura pueda exceder 50°C (120°F) como puede ser dentro de un vehículo o un edificio de metal durante el verano. El cargador percibirá la temperatura de la batería y cargará la batería cuando la temperatura esté dentro de -10°C (14°F) y 65°C (150°F). Cuando la temperatura de la batería está fuera de ese rango, no se cargará.

LEA Y CONSERVE TODAS LAS INSTRUCCIONES PARA CONSULTARLAS EN EL FUTURO.

DESCRIPCIÓN FUNCIONAL

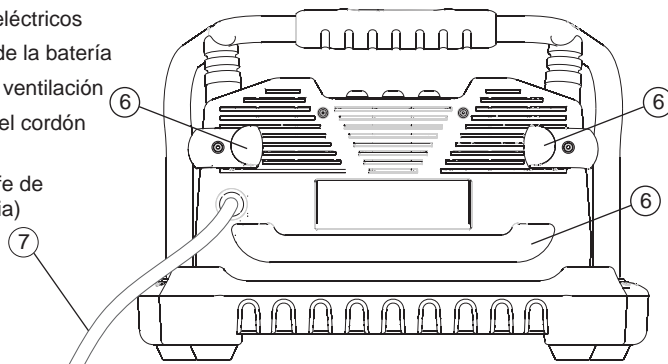


1. Indicadores de luz:

Apagada	--	El puerto está listo
Roja	Continua	Cargando
Roja	Parpadeando	La batería está demasiado caliente o demasiado fría (la carga comenzará cuando la batería alcance la temperatura de carga correcta)
Verde	Continua	La carga ha finalizado
Roja y Verde	Parpadeando	Batería dañada o defectuosa

2. Etiqueta

3. Contactos eléctricos
4. Segmento de la batería
5. Orificios de ventilación
6. Envoltura del cordón
7. Cordón (con enchufe de transferencia)



Simbología

	Con doble aislamiento		Underwriters Laboratories, Inc., Estados Unidos y Canadá
	Volts de corriente continua		Hertzios
	Volts de corriente alterna		Amperios

Especificaciones

Cat. No.	Entrada Volts de ca	Entrada Amperios	Salida Volts cd	Salida Amperios
48-59-0280 *	120	6,3	12-28	3,5

* Las baterías de Iones de Litio de MILWAUKEE 18-28V y las baterías de MILWAUKEE 12-18V NiCd pueden ser cargadas

USO Y CARACTERÍSTICAS DE LA HERRAMIENTA

De segmentos múltiples, para múltiples voltajes y múltiples composiciones químicas

Los segmentos independientes del cargador de múltiples segmentos permiten cargar hasta tres baterías simultáneamente. Las baterías pueden ser de diferente voltaje (12 a 28 voltios) y tener diferente composición química (níquel-cadmio o iones de litio). Por ejemplo, cargue al mismo tiempo su batería de 12 voltios de níquel-cadmio, su batería de 18 voltios de níquel-cadmio y su batería de 28 voltios de iones de litio.

Envoltura del cordón/Enchufe de transferencia

Una conveniente envoltura del cordón almacena el cordón de 2,7 m (9 pies). Un enchufe de transferencia mantiene el receptáculo disponible para otros usos.

Edificación del lugar de trabajo

El fuerte alojamiento del Cargador de múltiples segmentos se adecua muy bien al ambiente severo de los lugares de trabajo. Las barras de rodillos y el plástico modelado por soplado protegen el cargador de caídas y golpes.

Las luces indicadores brillantes de alta visibilidad están montadas en la parte superior del cargador y ofrecen una visualización de 360°.

Las cubiertas contra el polvo en los contactos eléctricos ayudan a mantener el polvo y la suciedad provenientes del lugar de trabajo fuera del cargador. Cuando se inserta la batería, las cubiertas contra el polvo se retraen automáticamente para permitir la carga.

Las baterías pueden almacenarse en los segmentos y transportarse en el cargador de un lugar de trabajo a otro. Cuando se enchufa el cargador, comienza la carga de las baterías en los segmentos.

FUNCIONAMIENTO DEL CARGADOR



ADVERTENCIA

Cargue solamente las baterías de MILWAUKEE iones de litio 18-28 V y baterías de MILWAUKEE níquel-cadmio 12-18 V en el cargador de múltiples MILWAUKEE iones de litio/níquel-cadmio. Otros tipos de baterías pueden ocasionar lesiones personales y daños.

Cuándo cambiar la batería

Para las baterías MILWAUKEE de Níquel-Cadmio:

Cargue la batería antes de utilizar la herramienta por la primera vez y cuando la herramienta ya no funciona con la potencia y la torsión necesarias para el trabajo. Nunca descargue la batería completamente.

Las baterías nuevas alcanzan su capacidad de carga completa después de 2-10 cargas y descargas. Se debe recargar las baterías que no han sido utilizadas por algún tiempo antes de utilizarlas.

Para las baterías MILWAUKEE de iones de litio:

Quite la batería de la herramienta para cargarla cuando le resulte conveniente a usted y a su trabajo. Las baterías de iones de litio MILWAUKEE no desarrollan una "memoria" cuando se cargan después de solamente una descarga parcial. No es necesario descargar completamente la batería antes de colocarla en el cargador.

- Use el indicador de carga para determinar cuándo necesita cargar la batería.
- Puede "cargar hasta el tope" la batería antes de comenzar una tarea importante o un día en el que se va a usar durante mucho tiempo.
- La única vez que es necesario cargar la batería de iones de litio MILWAUKEE es cuando la batería se ha descargado por completo. Para indicar el final de la carga, la energía a la herramienta descenderá rápidamente, proporcionándole justo la energía necesaria para terminar de realizar un corte, taladrar un agujero o introducir un afianzador. Cambie la batería según sea necesario.

Cómo cargar la batería

Coloque la batería sobre la base deslizándola desde la parte superior de la base. La luz roja se encenderá, bien intermitente (la batería está demasiado caliente o fría) o continua (la batería se está cargando).

- Para las baterías MILWAUKEE de iones de litio, a medida que se carga la batería, aparecen las luces del indicador de carga de la batería, indicando cuán cargada está la batería.
 - Si la batería está completamente descargada, a una temperatura interna dentro del margen normal*, puede cargarse en 45 minutos o menos, en el caso de baterías de níquel-cadmio, y en 60 minutos o menos, en el caso de baterías de iones de litio. Si ha sido usada intensamente, la batería puede tardar más tiempo en cargarse completamente.
- *Margen normal: Para las baterías MILWAUKEE de iones de litio: 0 y 65°C (32°F y 150°F); Para las baterías MILWAUKEE de Níquel-Cadmio: 0 y 60°C (32°F y 140°F)
- Se pueden cargar tres baterías simultáneamente sin necesidad de cambiar los tiempos de carga.
 - Una vez que la carga ha concluido, la luz verde se encenderá y las luces del indicador de carga se apagarán. Para las baterías MILWAUKEE de iones de litio, el botón del indicador de carga incluido en la batería no funcionará cuando la batería se encuentre en el cargador.
 - El cargador mantendrá la batería completamente cargada si se deja en el cargador.

- Luego de que la batería esté completamente cargada, la luz verde podría comenzar a parpadear. Esta acción indica que el cargador está acondicionando (incrementando el límite) la batería para retener una carga mayor. Con el tiempo, las baterías comienzan a retener cada vez menos carga. El modo "top off" (incremento de límite) ayuda a renovar la vida útil de la carga de la batería. El proceso puede durar de 1 a 4 horas, según la temperatura de la batería. Durante este ciclo, puede extraerse la batería en cualquier momento sin ocasionar perjuicio alguno.
- Si la luz indicadora parpadea en rojo y verde, cerciórese de que la batería está bien asentada en el compartimiento. Extraiga la batería y reintrodúzcala. Si la luz continúa parpadeando en rojo y verde, es posible que la batería esté demasiado caliente, demasiado fría o húmeda. Deje que la batería se enfríe, se caliente o se seque, y reintrodúzcala. Si el problema persiste, póngase en contacto con un centro de servicio MILWAUKEE.
- Si la luz indicadora no se enciende, cerciórese de que la batería está bien asentada en el compartimiento. Extraiga la batería y reintrodúzcala. Si aún no se enciende la luz indicadora, póngase en contacto con un centro de servicio MILWAUKEE.

Carga de una batería caliente o fría

La luz indicadora intermitente roja del cargador indica que la temperatura de la batería está fuera del rango de carga. Una vez que la batería está dentro del rango de carga aceptable, se producirá la carga normal y la luz roja será continua. Si está caliente o fría, la batería puede tardar más tiempo en cargarse.

Estado de carga de iones de litio

Temperatura de la batería	Luz indicadora roja del cargador	Estado de carga
65°C (150°F) o más	Intermitente	No está cargando
de 0 a 65°C (32 a 150°F)	Continua	Carga normal
de -10 a 0 (14 a 32°F)	Continua	Carga de calentamiento
-10°C (14°F) o menos	Intermitente	No está cargando

Estado de carga de níquel-cadmio

Temperatura de la batería	Luz indicadora roja del cargador	Estado de carga
60°C (140°F) o más	Intermitente	No está cargando
de 0 a 60°C (32 a 140°F)	Continua	Carga normal
0°C (32°F) o menos	Intermitente	No está cargando

Suministro de energía al cargador con un inversor o un generador

El cargador funcionará con la mayoría de los generadores e inversores con una clasificación de 900 W o más. Se necesitará una potencia mínima de 300 vatios por segmento.

Mantenimiento y almacenaje

Almacene su cargador en un lugar frío y seco.

Como norma general, es mejor desenchufar los cargadores de baterías y quitar las baterías cuando no se estén usando. No se dañará la batería si, sin embargo, se dejan enchufados el cargador y la batería.



ADVERTENCIA

Para reducir el riesgo de lesiones, desenchufe siempre el cargador y quite la batería del mismo antes de realizar mantenimiento. Nunca desarme la batería ni el cargador. Póngase en contacto con un centro de reparaciones MILWAUKEE para TODAS las reparaciones.

Para reducir el riesgo de lesiones y daños, nunca sumerja la batería o el cargador en un líquido ni permita que les entre líquido.

Limpieza

Limpie el polvo y los residuos de las rejillas de ventilación del cargador y los contactos eléctricos con aire comprimido. Use solamente un jabón suave y un paño húmedo para limpiar la batería y el cargador, manteniéndolos alejados de todos los contactos eléctricos. Ciertos agentes limpiadores y disolventes son perjudiciales para los plásticos y para otras piezas aisladas. Algunos de estos son la gasolina, turpentina, tñer, soluciones limpiadoras con cloro, amoníaco y detergentes caseros que contengan amoníaco. Nunca use disolventes inflamables o combustibles alrededor de las baterías, el cargador o las herramientas.

Reparaciones

El Cargador no contiene piezas que puedan repararse. Si es necesario reparar la unidad de cable, devuelva el cargador al centro de servicio autorizado más cercano.

GARANTÍA LIMITADA DE CINCO AÑOS

Cada herramienta eléctrica MILWAUKEE (incluyendo el cargador de batería) está garantizada sólo al comprador original de estar libre de defectos en el material y la mano de obra. Sujeto a ciertas excepciones, MILWAUKEE reparará o reemplazará por un período de cinco (5) años* después de la fecha de compra cualquier pieza en una herramienta eléctrica que, después de haber sido examinada, MILWAUKEE determine que está defectuosa en el material o la mano de obra. Regrese la herramienta eléctrica y una copia de la prueba de compra a un concesionario de soporte de ventas/servicio de fábrica MILWAUKEE o a una estación de servicio autorizada MILWAUKEE. Para que esta garantía sea efectiva, se requiere el flete pagado por anticipado y el seguro. Esta garantía no aplica a los daños que MILWAUKEE determine sean ocasionados por reparaciones o intentos de reparación por cualquier otro que personal autorizado por MILWAUKEE, uso indebido, alteraciones, abuso, desgaste y deterioro normal, falta de mantenimiento o accidentes.

* El período de garantía para Montacargas (de palanca, de cadena de mano y de cadena eléctrica), baterías de Ni-Cd, linternas de trabajo (inalámbricas), radios Job Site, y carros para trabajo industrial Trade Titans™ es de un (1) año a partir de la fecha de compra.

*Hay una garantía separada para las baterías de iones de litio que acompañan las herramientas eléctricas:

*Cada batería de iones de litio de MILWAUKEE está cubierta con una garantía de reemplazo gratuito por las primeras 1000 cargas/2 años. Esto significa que por lo que suceda primero, las primeras 1000 cargas o dos (2) años de la fecha de compra/primer carga, se proporcionará sin cargo al cliente, una batería de reemplazo por cualquier batería defectuosa. A partir de entonces, los clientes recibirán una garantía adicional en una base proporcional que puede ser hasta de las primeras 2000 cargas o cinco (5) años de la fecha de compra/primer carga, lo que suceda primero. Esto significa que cada cliente obtiene una garantía proporcional de 1000 cargas o tres (3) años adicionales en la batería de iones de litio, dependiendo de la cantidad de uso. Durante este período adicional de garantía, el cliente paga por sólo el servicio utilizable recibido durante y superior a las primeras 1000 cargas/2 años, en base de la fecha de la primer carga y número de cargas encontrados en la batería a través del lector de servicio de MILWAUKEE. Se carga una cantidad proporcionalmente por el servicio presentado al cliente, después de 1000 cargas/2 años de la fecha de compra/primer carga.

El registro de la garantía no es necesario para obtener la garantía aplicable en un producto MILWAUKEE. Sin embargo, se requiere un recibo de compras u otra información similar que MILWAUKEE considere suficiente.

LA ACEPTACIÓN DE LOS REMEDIOS EXCLUSIVOS DE REPARACIÓN Y REEMPLAZO AQUÍ DESCRITOS ES UNA CONDICIÓN DEL CONTRATO EN LA COMPRA DE CADA PRODUCTO MILWAUKEE. SI NO ESTÁ DE ACUERDO CON ESTA CONDICIÓN, NO DEBERÍA COMPRAR ESTE PRODUCTO. EN NINGÚN CASO MILWAUKEE SERÁ RESPONSABLE POR CUALESQUIER DAÑO PUNITIVO, CONSECUENTE, ESPECIAL, INCIDENTAL O POR CUALESQUIER COSTO, HONORARIOS DE ABOGADO, GASTOS, PÉRDIDAS O RETRASOS QUE SE ARGUMENTE QUE SEAN UNA CONSECUENCIA DE CUALQUIER DAÑO A, FALLA DE, O DEFECTO EN CUALQUIER PRODUCTO, INCLUYENDO, PERO SIN LIMITARSE A, CUALQUIER RECLAMO POR PÉRDIDAS DE GANANCIAS. ESTA GARANTÍA ES EXCLUSIVA Y REEMPLAZA TODAS LAS DEMÁS GARANTÍAS O CONDICIONES, ORALES O ESCRITAS, EXPRESAS O IMPLÍCITAS. SIN LIMITAR LA GENERALIDAD DE LO ANTERIOR, MILWAUKEE RENUNCIA A TODA GARANTÍA IMPLÍCITA DE COMERCIABILIDAD O APTITUD PARA UN FIN O USO ESPECÍFICO Y DEMÁS GARANTÍAS.

Esta garantía es válida solamente en el producto vendido en los Estados Unidos, México y Canadá.

Consulte la página Web de MILWAUKEE www.milwaukeetool.com o llame al 1.800.SAWDUST (1.800.729.3878) para localizar su técnico de servicio más cercano para el servicio con o sin garantía en una herramienta eléctrica MILWAUKEE.

UNITED STATES - MILWAUKEE Service

MILWAUKEE prides itself in producing a premium quality product that is NOTHING BUT HEAVY DUTY®. Your satisfaction with our products is very important to us!

If you encounter any problems with the operation of this tool, or you would like to locate the *factory Service/Sales Support Branch* or *authorized service station*

nearest you, please call...

1-800-SAWDUST

(1.800.729.3878)

NATIONWIDE TOLL FREE

Monday-Friday • 8:00 AM - 4:30 PM • Central Time

or visit our website at

www.milwaukeetool.com

For service information, use the 'Service Center Search' icon found in the 'Parts & Service' section.

Additionally, we have a nationwide network of *authorized* Distributors ready to assist you with your tool and accessory needs. Check your "Yellow Pages" phone directory under "Tools-Electric" for the names & addresses of those nearest you or see the 'Where To Buy' section of our website.

Corporate After Sales Service - Technical Support
Brookfield, Wisconsin USA

•Technical Questions •Service/Repair Questions •Warranty

1-800-SAWDUST

(1.800.729.3878) fax: 1.800.638.9582

email: metproductsupport@milwaukeetool.com

Monday-Friday • 8:00 AM - 4:30 PM • Central Time

Canada - Service MILWAUKEE

MILWAUKEE est fier de proposer un produit de première qualité NOTHING BUT HEAVY DUTY®. Votre satisfaction est ce qui compte le plus!

En cas de problèmes d'utilisation de l'outil ou pour localiser le centre de service/ventes ou le *centre d'entretien* le plus proche, appelez le...

416.439.4181

fax: 416.439.6210

Milwaukee Electric Tool (Canada) Ltd

755 Progress Avenue
Scarborough, Ontario M1H 2W7

Notre réseau national de distributeurs *agréés* se tient à votre disposition pour fournir l'aide technique, l'outillage et les accessoires nécessaires. Composez le 416.439.4181 pour obtenir les noms et adresses des revendeurs les plus proches ou bien consultez la section «Où acheter» sur notre site web à l'adresse

www.milwaukeetool.com

MEXICO - Soporte de Servicio MILWAUKEE

Milwaukee Electric Tool, S.A. de C.V.

Blvd. Abraham Lincoln no. 13

Colonia Los Reyes Zona Industrial

Tlalnepanitla, Edo. México C.P. 54073

Tel. (55) 5565-1414 Fax: (55) 5565-6874

Adicionalmente, tenemos una red nacional de distribuidores *autorizados* listos para ayudarle con su herramienta y sus accesorios. Por favor, llame al (55) 5565-1414 para obtener los nombres y direcciones de los más cercanos a usted, o consulte la sección 'Where to buy' (Dónde comprar) de nuestro sitio web en

www.milwaukeetool.com

MILWAUKEE ELECTRIC TOOL CORPORATION

13135 West Lisbon Road • Brookfield, Wisconsin, U.S.A. 53005