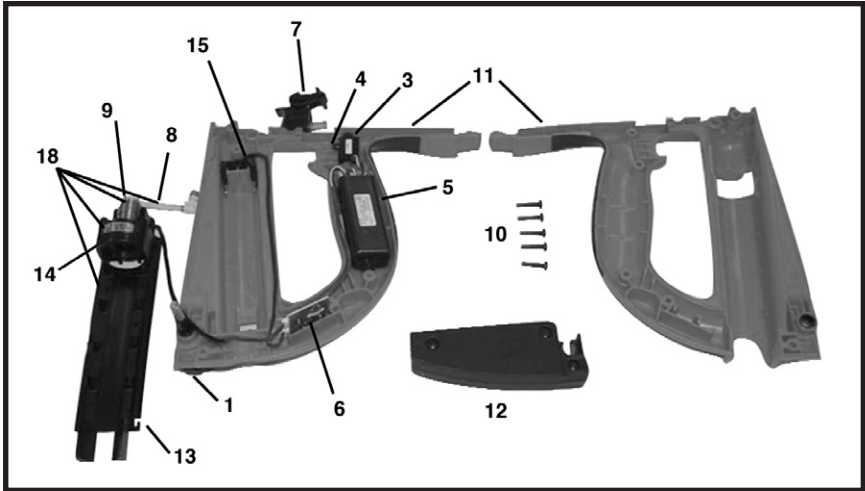


PARTS LIST

RAMSET T3 TOOL SYSTEMS PARTS LIST – MOTOR ASSEMBLY

KEY	PART NUMBER	DESCRIPTION
1	B0017	GRILL, CAP
2	B0095	FOAM FILTER
3	901065A	CAP SCREWS (PKG OF 4)
4	B0016	CAP ASSEMBLY
5	B0121	SPARK PLUG WIRE
6	B0061A	PC BOARD SCREWS (PKG OF 3)
7	B0040	PC BOARD
8	7505164	SPARK PLUG ASSEMBLY
9	900525A	FAN MOTOR KIT (Includes: Fan, Motor Sleeve, Motor Mount, Retaining Ring and Fan Blade)
10	401356	MOTOR SLEEVE
11	900470	MOTOR MOUNT
12	401355	MOTOR RETAINING RING
13	404601	HEAD SWITCH
14	B0078	CYLINDER HEAD
15	403992	O-RING, CYLINDER HEAD
16	403167	FAN BLADE
17	B0097	AIR DAM, T3
18	B0178	COMBUSTION CHAMBER
19	B0046A	COMBUSTION CHAMBER WEAR PLATE
20	B0068	PISTON STOP RING
21	B0031A	PISTON ASSEMBLY
	B0034A	PISTON RINGS (PKG OF 2)
22	B0053	BUMPER
23	B0059A	HOUSING SCREW (PKG OF 3)
24	B0042	SLEEVE O-RING
25	B0054A	FUEL INJECTION TUBE ASSEMBLY
26	B0037A	CHAMBER SPRINGS

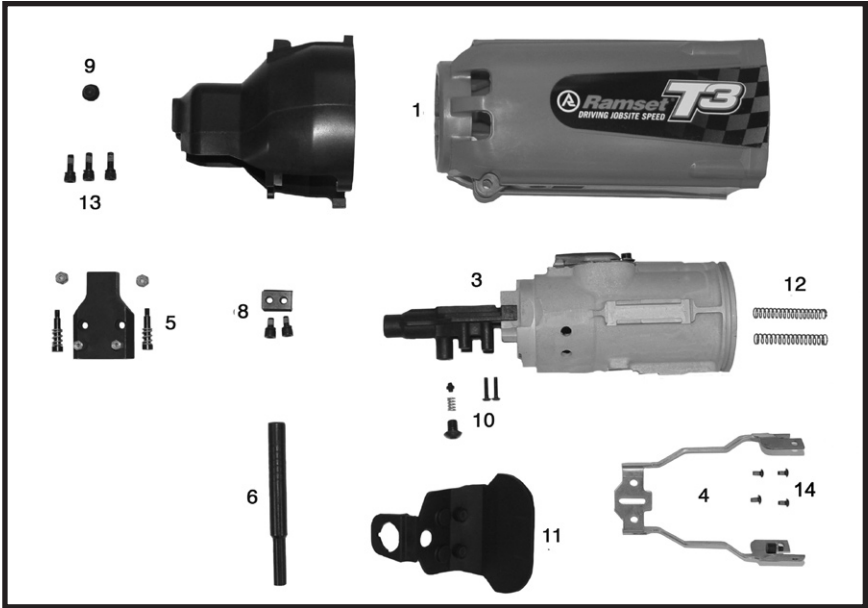
T3 TOOL SYSTEMS – HANDLE ASSEMBLY



RAMSET T3 TOOL SYSTEMS PARTS LIST – HANDLE ASSEMBLY

KEY	PART NUMBER	DESCRIPTION
1	333380	KNOB ASSEMBLY
2	404619	INSULATOR (2) NOT SHOWN
3	404490	TRIGGER SWITCH
4	7405091	SCREWS, #2 X 5/8", TRIGGER SWITCH
5	B0134	SPARK UNIT – MEFI
6	B0093	EFI JUNCTION BOARD
7	B0006A	TRIGGER ASSEMBLY
8	B0050A	FUEL CONNECTION ASSEMBLY
9	B0160	FUEL VALVE ASSEMBLY
10	B0100A	HANDLE SCREWS
11	B0176	LEFT & RIGHT HANDLE ASSEMBLY
12	B0144	REAR FOOT ASSEMBLY (T3SS ONLY)
13	B0018	SPACER PLATE
14	B0090A	FUEL EJECT BUTTON & LATCH KIT
15	B0011	BATTERY TERMINAL ASSEMBLY
16	B0210A	BELT HOOK KIT (NOT SHOWN)
18	B0160A	FUEL VALVE W/SPACER PLATE ASSEMBLY
	B0029	HANDLE TO HOUSING BUSHING (NOT SHOWN)
	B0030	HEAD TO HANDLE BUSHING (NOT SHOWN)
	B0092	BATTERY (NOT SHOWN)
	B0022	BATTERY CHARGER & POWER ADAPTOR (NOT SHOWN)

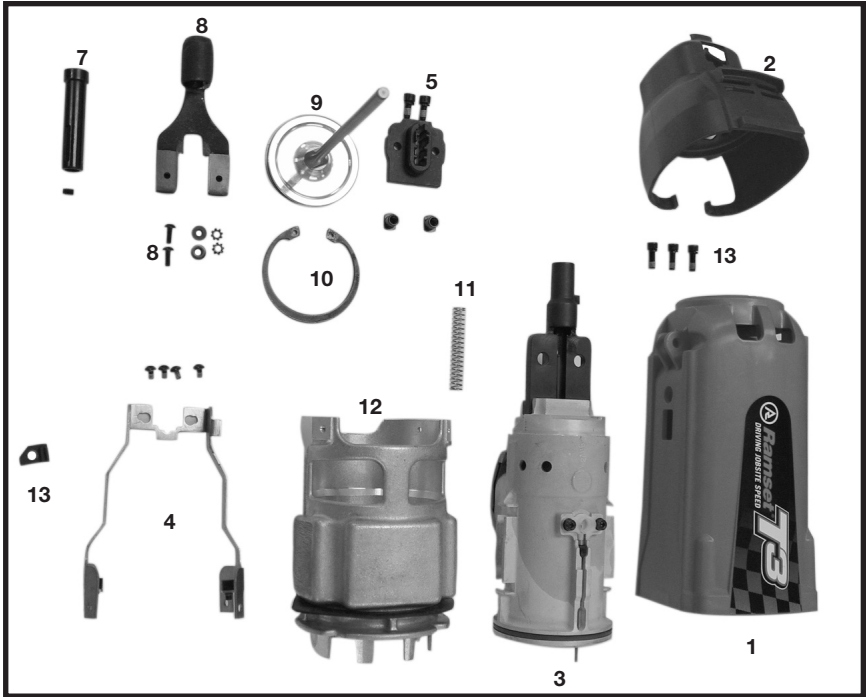
T3SS NOSE AND HOUSING ASSEMBLY



RAMSET T3SS NOSE AND HOUSING ASSEMBLY

KEY	PART NUMBER	DESCRIPTION
1	B0001	HOUSING
2	B0096	SHROUD
3	B0052T3SS	NOSE/SLEEVE ASSEMBLY T3SS
4	B0217A	CAGE ASSEMBLY, T3SS/T3SSMAG
5	B0175	SHEAR BLOCK PLATE KIT, T3SS (USE WITH TOOLS BEFORE S/N 1407100277 OCT 07)
6	E150100	WORK CONTACT ELEMENT (WCE)
—	M150200	MAGNETIC WORK CONTACT ELEMENT
8	B0047A	GUIDE BLOCK ASSEMBLY
—	B0171	SPACER, STAND-OFF NUT
9	B0179	SHROUD PLUG
10	B0218	WCE RETENTION KIT (TOOLS WITH S/N 1407100278 OR LATER, OCT 07)
11	100008A	AUXILIARY SHROUD T3SS
12	B0037A	CAGE SPRINGS (QTY 2)
13	B0059A	HOUSING SCREWS (PKG 3)
14	B0057	SCREW, CAGE TO COMBUSTION CHAMBER 4 REQUIRED - SOLD INDIVIDUALLY
—	EM150302	SHOULDER SCREW FROM B0175 KIT (EA)
—	12388	SPRING FROM KIT B0175 (EA)
—	B0163	NUT FROM KIT B0175

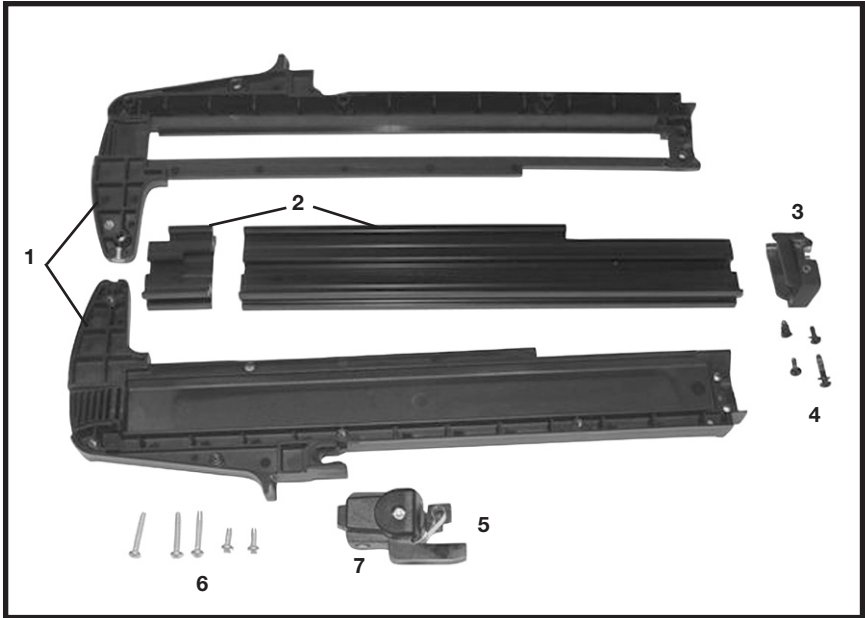
T3 MAGAZINE NOSE ASSEMBLY



RAMSET T3 MAGAZINE NOSE ASSEMBLY

KEY	PART NUMBER	DESCRIPTION
1	B0001	HOUSING
2	B0199	SHROUD
3	B0052A	NOSE / SLEEVE ASSEMBLY, T3MAG
4	B0217A	CAGE ASSEMBLY WITH SCREWS, T3MAG
5	B0110A	SHEAR BLOCK KIT, T3MAG Shear Block, T-Nuts (2), Screws (2)
7	B0111A	PIN GUIDE ASSEMBLY W/SET SCREW
8	B0122A	ACTUATOR ASSEMBLY
8A	B0128	SCREW, ACTUATOR TO CAGE
9	B0031A	PISTON ASSEMBLY W/PISTON RINGS
10	B0068	PISTON STOP RING
11	B0037A	CAGE SPRING (2)
12	B0178	COMBUSTION CHAMBER W/AIR DAM
13	B0209	HOUSING SCREWS & SECURITY STOP
14	B0188	SCREW, PIN GUIDE
15	B0057	SCREW. CAGE TO COMBUSTION CHAMBER
	B0058	SCREW, M5-10

T3 MAGAZINE – MAGAZINE ASSEMBLY _____



RAMSET T3 MAGAZINE – MAGAZINE ASSEMBLY

KEY	PART NUMBER	DESCRIPTION
1	B0203	MAGAZINE LEFT & RIGHT HALF
2	B0204	FRONT & REAR RAILS
3	B0205	CONNECTION BLOCK & SCREWS
4	B0206	CONNECTION BLOCK SCREWS ONLY
5	B0207	FOLLOWER ASSEMBLY W/CONSTANT FORCE SPRING
6	B0208	MAGAZINE SCREWS
7	B0147	LOCKOUT BRACKET