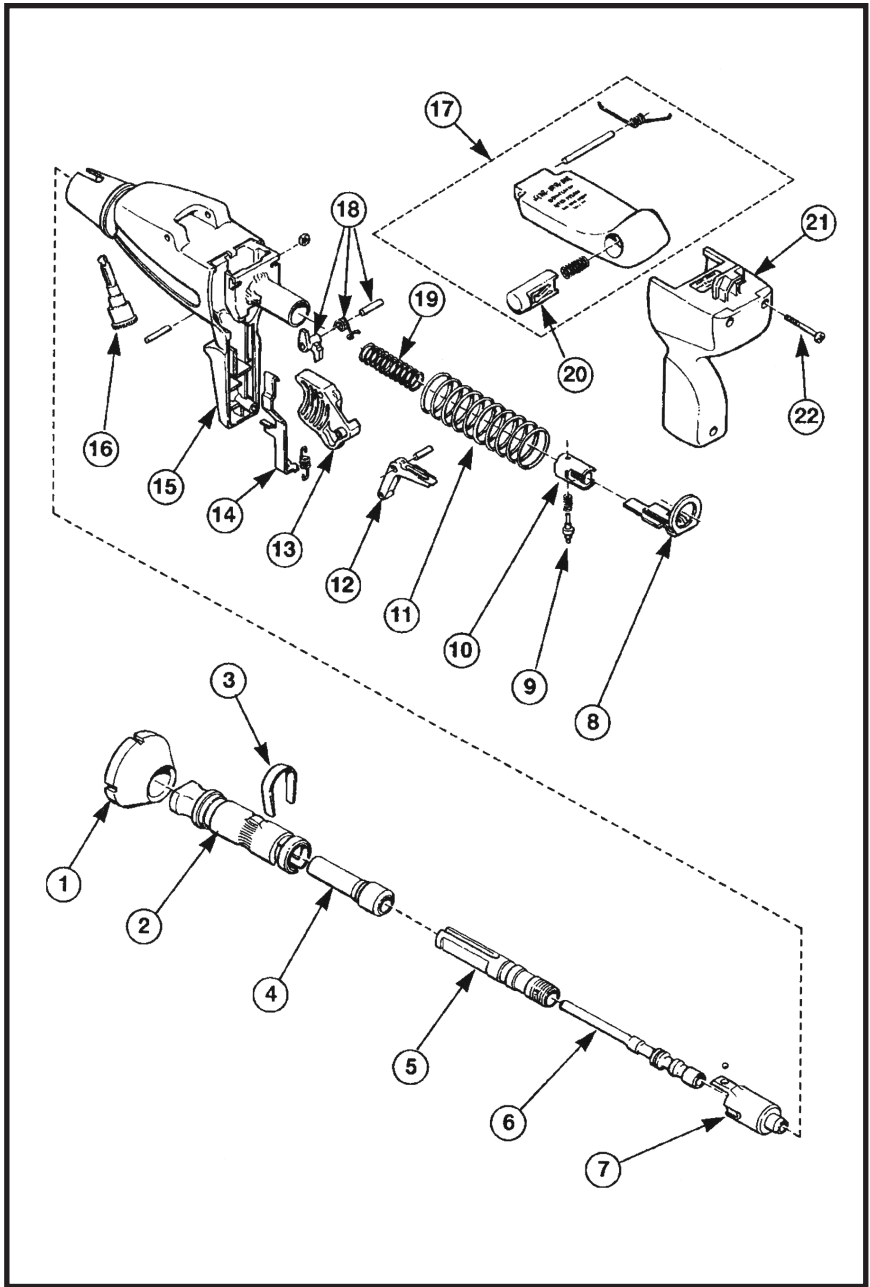


D60 PARTS SCHEMATIC



RAMSET D60 TOOL PARTS LIST

KEY	PART NO.	DESCRIPTION
1	5466405	SPALL GUARD
2	13500	OUTER BARREL SHROUD (FRONT BARREL)
3	135010	OUTER BARREL CLIP (PKG OF 3)
4	30663	STANDARD MUZZLE BUSHING
5	13504	REAR BARREL
6	30691	PISTON ASSEMBLY
7	13505	LOAD CHAMBER ASSEMBLY
8	307920	COCKING SLIDE
9	308870	FIRING PIN PAWL AND SPRING
10	307890	FIRING PIN ASSEMBLY
11	13515	COCKING SLIDE SPRING
12	13517	SEAR ASSEMBLY WITH PIN
13	13509	TRIGGER AND PIN
14	13518	LOAD INDEXING LEVER AND SPRING
16	135220	PAWL ASSEMBLY
17	13510	COVER ASSEMBLY
18	13516	TRIGGER LOCK ASSEMBLY
19	13513	FIRING PIN SPRING
20	308490	LATCH BUTTON ASSEMBLY
21	309280	REAR HANDLE ASSEMBLY
22	308860	REAR HANDLE SCREWS AND NUTS
23	13521	BARREL RETENTION BALL AND RING *

* NOT SHOWN