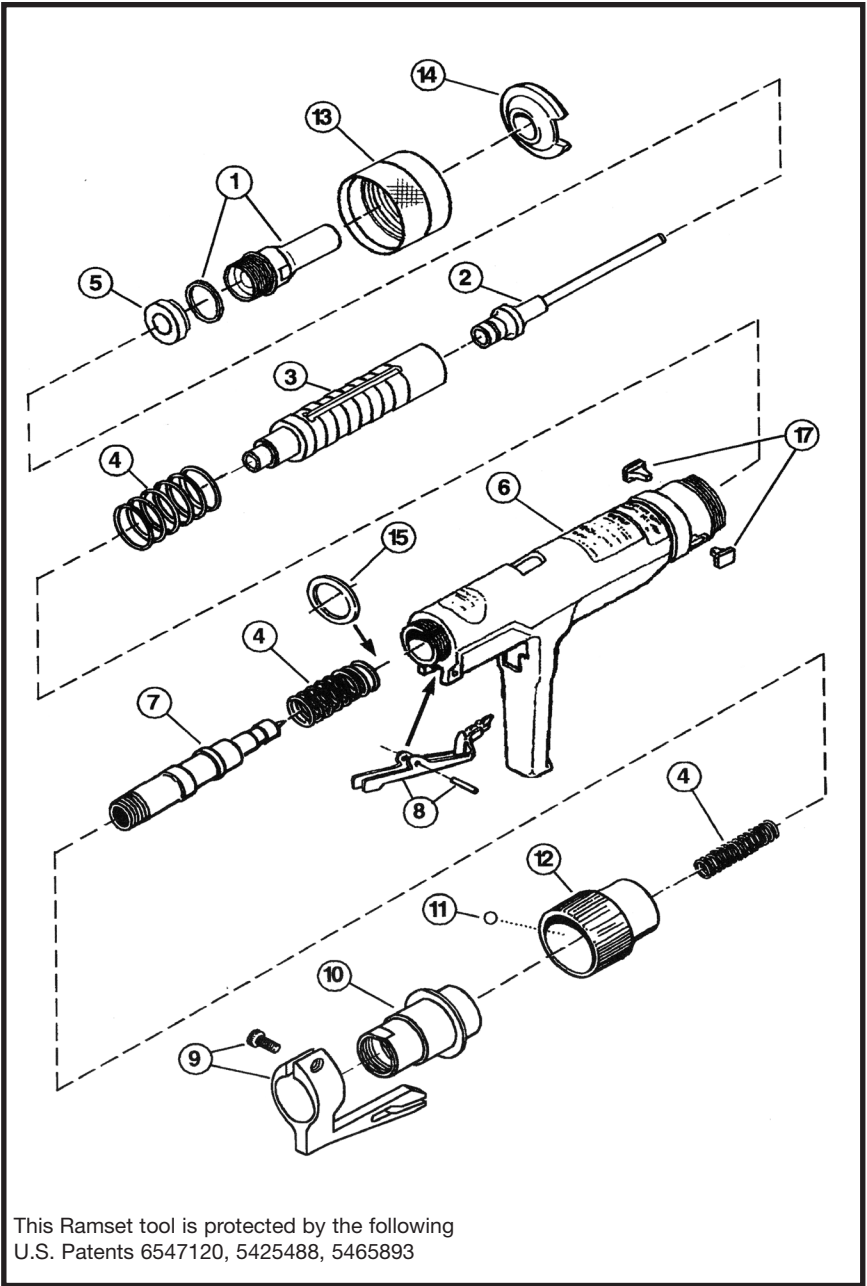


VIPER PARTS SCHEMATIC



This Ramset tool is protected by the following
U.S. Patents 6547120, 5425488, 5465893

VIPER TOOL PARTS LIST

KEY	PART NO.	DESCRIPTION
1	MVP100A	MUZZLE BUSHING ASSEMBLY
2	MVP140	PISTON
3	MVP150	BARREL
4	MVP21A	SPRINGS (barrel, firing pin & firing pin assembly)
5	MVP110A	BUFFER (PKG of 3)
6	MVP101	HOUSING
7	2VP18	FIRING PIN ASSEMBLY
8	MVP500AP	ADVANCE LEVER AND PIN
9	MVP600A	ADVANCE LEVER CAM AND SCREW
10	MVP028	POLE CONNECTOR
11	2VP11	LOCKOUT BALL (PKG. OF 3)
12	2VP29	HANDLE CONNECTOR
13	MVP130	RETAINING COLLAR
14	MVP30	SPALL GUARD
15	2VP33	WAVE WASHER
16	MVP001A	LINER BALLS AND SPRINGS (not shown)
17	316540	PAWLS (PKG of 2)